



G3 Series



SERVICE AND MAINTENANCE MANUAL

03502573





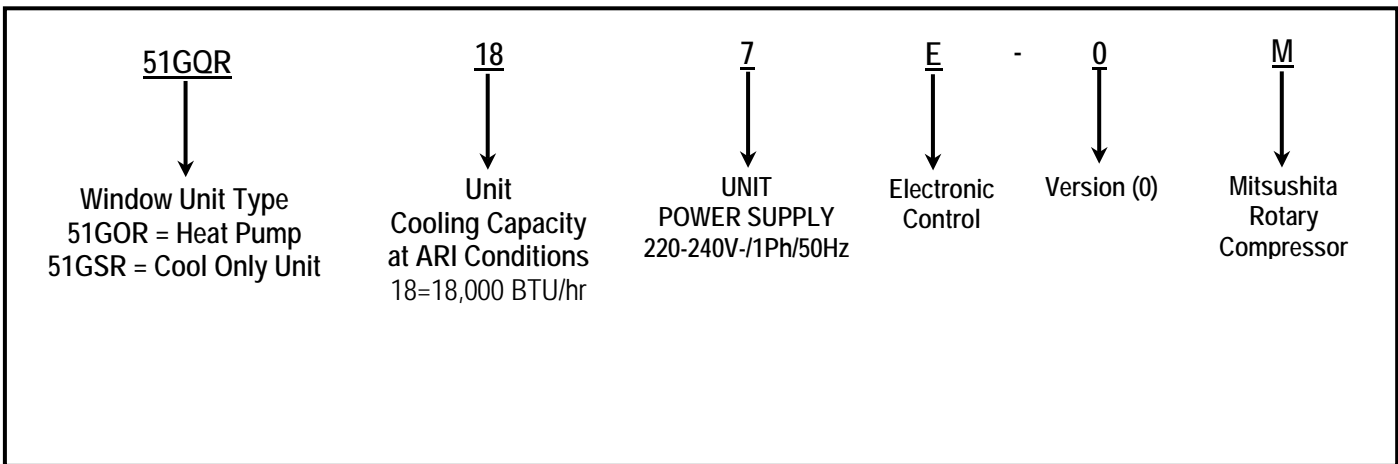
TABLE OF CONTENTS

	PAGE NO.
1. UNIT MODEL DESIGNATION & IDENTIFICATION	1
2. UNIT MODEL & PART NUMBERS	1
3. UNIT EXPLODED VIEW 51GR12	2
4. UNIT PART LIST 51GR12	3

1. UNIT MODEL DESIGNATION

&

IDENTIFICATION



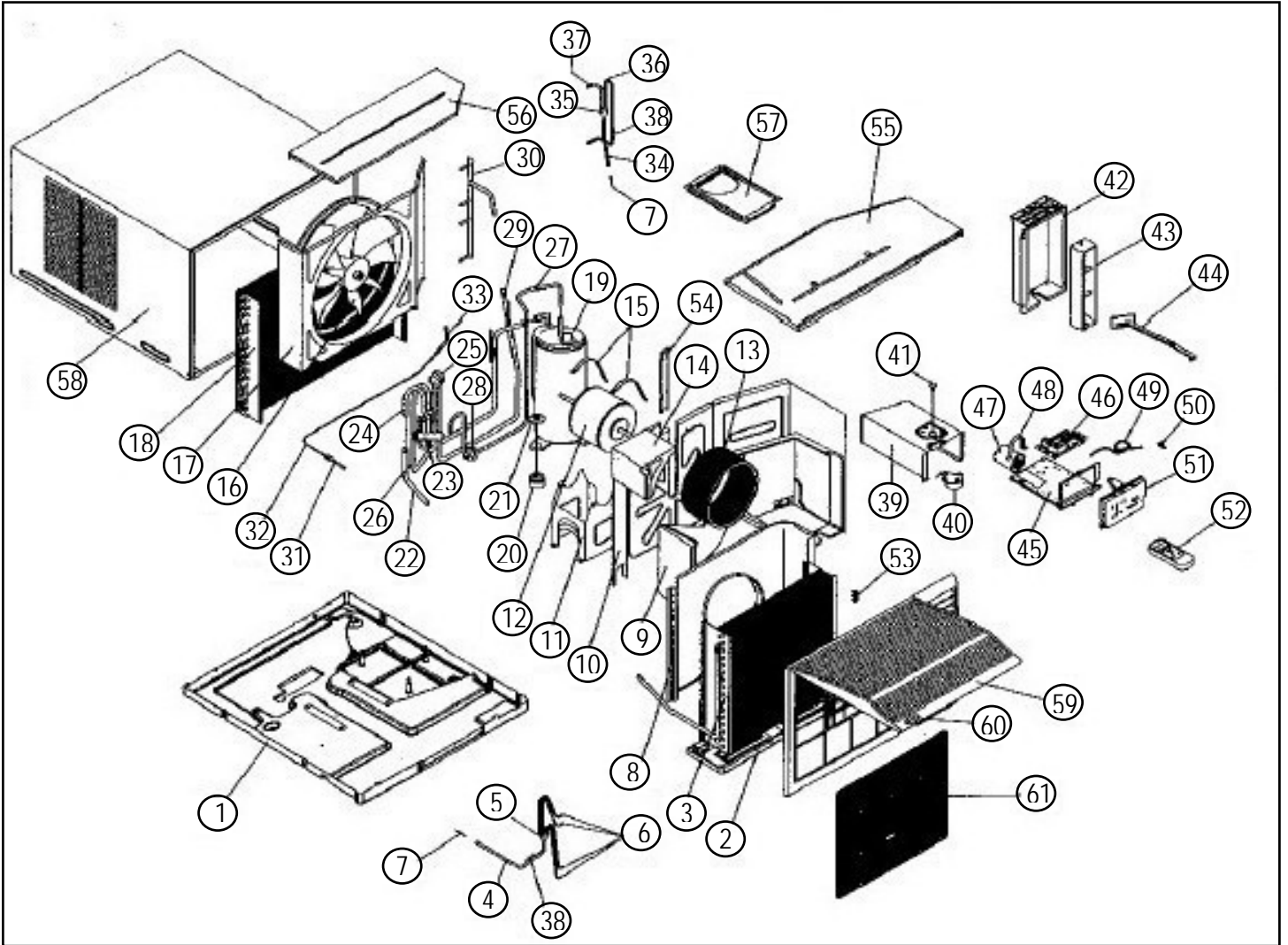
2. Engineering Part Numbers for Units:

Cool/Heat

Cool Only

Model	P/N	Model	P/N
51GQR187E-1M	46301182	51GSR187E-1M	46301184

3. UNIT EXPLODED VIEW





4. UNIT PART LIST

SR	PART NAME	PART NUMBER	QUANTITY / UNIT	
			51GQR-18	51GSR-18
1	BASE PAN ASSEMBLY - ROTARY (250-50000-5068)	36318699	1	1
2	DRAIN PAN (030030-5041-1408)	02602561	1	1
3	EVAPORATOR COIL ASSY (270-7101-0228)	02600178	1	1
4	TUBE CONNECTOR (370-6908-5528)	06314160	1	1
5	DIESTRIBUTER (EA000O204)	02301060	1	1
6	TUBE CONNECTOR (370-5507-5538/5548/5558/5558)	06314161	1	1
7	STRAIN INSERT (KH11HH078)	06314162	1	1
8	EVAP. ORIFICE (51GW14201013)	06314163	1	1
9	EVAP. SCROLL BOTTOM (030-1909-1663B)	02602562	1	1
11	PARTITION (51GW32203004)	06314164	1	1
11	MOTOR SUPPORT (51GW38815007)	06314165	1	1
12	FAN MOTOR 18K /50HZ (022-81D1-484B)	02400217	1	1
13	BLOWER WHEEL ASSY (025-5152-120B)	02600638	1	1
14	EVAP. SCROLL TOP (030-1909-1684B)	02602563	1	1
15	MOTOR CLAMP (51GW33701003)	02100880	1	1
16	CONDENSER FAN ASSY (025-5151-1338)	02600639	1	1
17	CONDENSER ORIFICE (51GW022801003)	06314166	1	1
18	CONDENSER COIL ASSY (270-5051-024B)	02600179	1	1
19	COMPRESSOR MITSUSHITA (121-811R-341B)	01500230	1	1
21	GROMMET COMPRESSOR (12B-5512-44B)		1	1
21	NUT WASHER (033-1121-16T)	02100881	1	1
22	TUBE CONNECTOR (370-5807-547B)	06314167	1	1
23	REVERSING VALVE (024-B405-22B)	02200414	1	1
24	TUBE CONNECTOR (370-807-562B)	06314168	1	1
25	PIPING GROMMET (029-5502-71B)	02802829	1	1
26	SUCTION TUBE ASSY (170-5815-11BB)	36318704	1	1
27	DISCHARGE TUBE (370-5813-516B)	06314169	1	1
28	PIPING GROMMET (029-5502-738)	02802830	1	1
29	TUBE CONNECTOR ASSY (170-5807-171B)	36318705	1	1
31	HEADER ASSY - CONNECTOR (170-5807-352B)	36318706	1	1
31	TUBE CONNECTOR (370-5807-54BB)	06314170	1	1
32	CAPILLARY TUBE - FORMED (070-5807-015B)	06314171	1	1
33	TUBE CONNECTOR (170-5807-548B)	06314172	1	1
34	TUBE CONNECTOR (170-5807-357B)	06314173	1	1
35	MANIFOLD (51GS500-327)	06314174	1	1
36	TUBE CONNECTOR ASSY (170-5807-125B)	36318707	1	1
37	TUBE CONNECTOR (370-5807-550B)	06314175	1	1
38	TUBE SENSOR HOLDER (370-5807-00IB)	02802831	1	1
39	CONTROL PANAL COVER (51GW32-307005)	06314176	1	1
41	MOTOR LOUVER (024-8101-7DIB)	02400218	1	1
41	CAM AIR SWEEP (028-6061-105B)	02802832	1	1
42	OUTLET NOZZLE (028-6061-100B)	02802833	1	1
43	VERTICAL LOUVER (028-8061-103B)	02802834	1	1
44	EXHAUST COMMAND (028-8081-104B)	02802835	1	1
45	CONTROL BOX ELECTRONIC (51GW32307007)	06314177	1	1
46	MAIN BOARD (121-B413-222B)	36313736	1	1
47	CAPACTOR 50+7.5 MFD. (023-8552-643B)	02400219	1	1
48	CAPACTOR BRACKET (51GW03201002)	06314178	1	1
49	SERVICE CORD (89LR560054S)	02503263	1	1
51	CLAMP CABLE (51GS500622)	02802836	1	1
51	DISPLY BOARD (121-8413-221B)	36313735	1	1
52	REMOTE CONTOLLER (121-8413-223B)	02501398	1	1
53	RETAINER (51HE500156)	02802837	1	1
54	FILLER METAL (518N32204003)	06314179	1	1



UNIT PART LIST (Cont.)

SR	PART NAME	PART NUMBER	QUANTITY / UNIT	
			51GQR-18	51GSR-18
55	EVAPORATOR TOP COVER ASSY (250-5000-505B)	36318708	1	1
56	CONDENSER TOP COVER (51GWO2802003)	06314180	1	1
57	TOP BRACKET (51GW35603000)	06314181	1	1
58	CABINET ASSEMBLY (250-5000-807B)	36318709	1	1
59	FRONT GRILLE (128-7050-B01B)	02802838	1	1
61	NAMEPLATE GRILLE (128-7050-B01B)	02802839	1	1
61	FILTER (032-7002-140B)	02802840	1	1