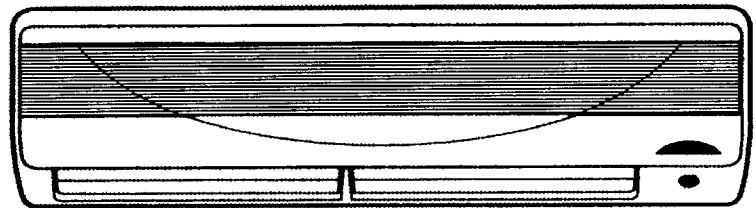




SERVICE PARTS GUIDE



42QN INDOOR UNITS

N2 SERIES HiWall

UNIT MODEL
42QN 14
42QN 18
42QN 24

CATALOG NO. :DED - 4207-001

SUPERSEDES: DED - 4202-001 & 4206-001

Issue Date: October 2000



INDOOR UNIT

42QN

SIZE 14



ITEM		PART DESCRIPTION	MIRACO P/N	DCC P/N	QTY	
			42QN-14	42QN-14		
			208/230-1-50	208/230-1-50		
			P/N	P/N		
CASING GROUP						
1		BODY ASSEMBLY	028-02210-3-1	53KN2A1008A	1	
2		GRILLE FRAME	028-02219-3-1	53QN2A50210	1	
3		GRILLE INSERT ASSEMBLY	028-02220-7-1	53KN2A0250B	1	
4		FLAB 1	028-02211-9-1	53KN2A2206A	1	
5		FLAB 2	028-02212-6-1	53KN2A2207B	1	
6		BAR - BLADE 1	028-02191-3-1	53KN2A3218A	1	
7		BAR - BLADE 2	028-02192-9-1	53KN2A3219B	2	
8		VERTICAL BLADE	028-02193-6-1	53KN2A3217B	14	
9		SCREW CAP	028-02222-1-1	53QN2A32150	3	
10		RECIVER CAP	028-02161-9-1	-	1	
11		BUSHING 1	028-00692-7-1	53KDBA4209A	2	
12		BUSHING 2	028-00693-4-1	53KDBA42100	2	
13		BUSHING 3	028-00693-4-1	53KDBA42100	2	
14		AIR SWEEP MOTOR	024-00174-2-1	53QN3A5546B	1	
15		BODY BRACKET	028-02213-3-1	53KN2A2221A	1	
16	NI	INSERT COVER	028-02217-9-1	53KN2A32140	1	
17	NI	CUSHION MOTOR	028-00694-1-1	53KN2A4901A	2	
18		MOTOR SUPPORT	028-02195-9-1	53KN2A3213A	1	
19		MOTOR BRACKET	028-02196-6-1	53KN2A4222A	1	
20		MOUNTING PLATE	063-00831-4-1	53KN2A2103B	1	
21		AIR FILTER	028-02221-4-1	53KN2C30090	2	
FAN AND MOTOR GROUP						
22		FAN MOTOR (IC-9425N2KG7A)	024-00173-5-1	PM001AG071B	1	
23		CUSHION MOTOR	028-00694-1-1	53KN2A4901A	2	
24		MOTOR BRACKET	028-02215-6-1	53KN2A3210A	1	
25		BLOWER WHEEL	026-00617-1-1	53KN2C2007A	1	
26		BLOWER BEARING	028-00647-8-1	53KDBB30120	1	
27		BEARING CUSHION	028-00686-9-1	53KN3A39130	1	
28		BEARING BRACKET	028-02214-9-1	53KN2A2216B	1	
ELECTRICAL AND CONTROL GROUP						
29		BOX ASSEMBLY	025-01570-3-1	53QN2A1800A	1	
30	NI	CONTROL BOX (PLASTIC)	025-01571-9-1	53KN2A0203E	1	
31	NI	MAIN PCB	025-01575-6-1	42QN6A58000A	1	
32	NI	PCB RELAY	025-01576-3-1	53QN1ASS280	1	
33		LED PCB DISPLAY	025-01573-3-1	42KN5B58040	1	
34	NI	PCB RECIVER	025-01574-9-1	53QN2A5805A	1	
35	NI	CAPACITOR (1.2UF,450V)	024-00364-2-1	PCA01AD0240	1	
36	NI	THERMISTOR	025-01577-9-1	53QN2A4500A	1	
37	NI	TRANSFORMER	025-01572-6-1	53QN2A55310	1	
38	NI	TERMINAL BLOCK	025-00413-7-1	PTB00AR0300	1	
39	NI	LED BRACKET	028-02218-6-1	53KN2A2208B	1	
40		SENSOR HOLDER	028-02216-3-1	53KN3A3244A	1	
41		SENSOR CLIP	021-00868-3-1	SW711A4141A	1	
42		REMOTE CONTROL	025-01540-9-1	53QN1A1801A	1	
43		REMOTE SUB BASE	025-01541-6-1	53KN1A30160	1	
COIL AND PIPING GROUP						
44		COIL ASSEMBLY	026-00028-8-1	53KN2A1012B	1	
45		COIL GUARD	063-00844-8-1	53KN2A3226A	1	
46		DRAIN PAN	063-03938-3-1	53KN2A10400	1	
47		DRAIN HOSE	028-02962-4-1	53KN2A3011A	1	
48		INSULATED TUBE EVAPORATOR	063-03939-9-1	53QN2A4601A	1	
49	NI	MALE COUPLING	023-00001-6-1	-	1	
50	NI	MALE COUPLING	023-00027-5-1	-	1	

CATALOG No.:DED-4207-001(10 \ 00)

SUPERSEDES :DED-4202-001 & 4206-001

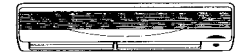
NOTE :SEE " CATALOG NOTICE " ON LAST PAGE FOR EXPLANATION.



INDOOR UNIT

42QN

SIZE 14 / 18 / 24

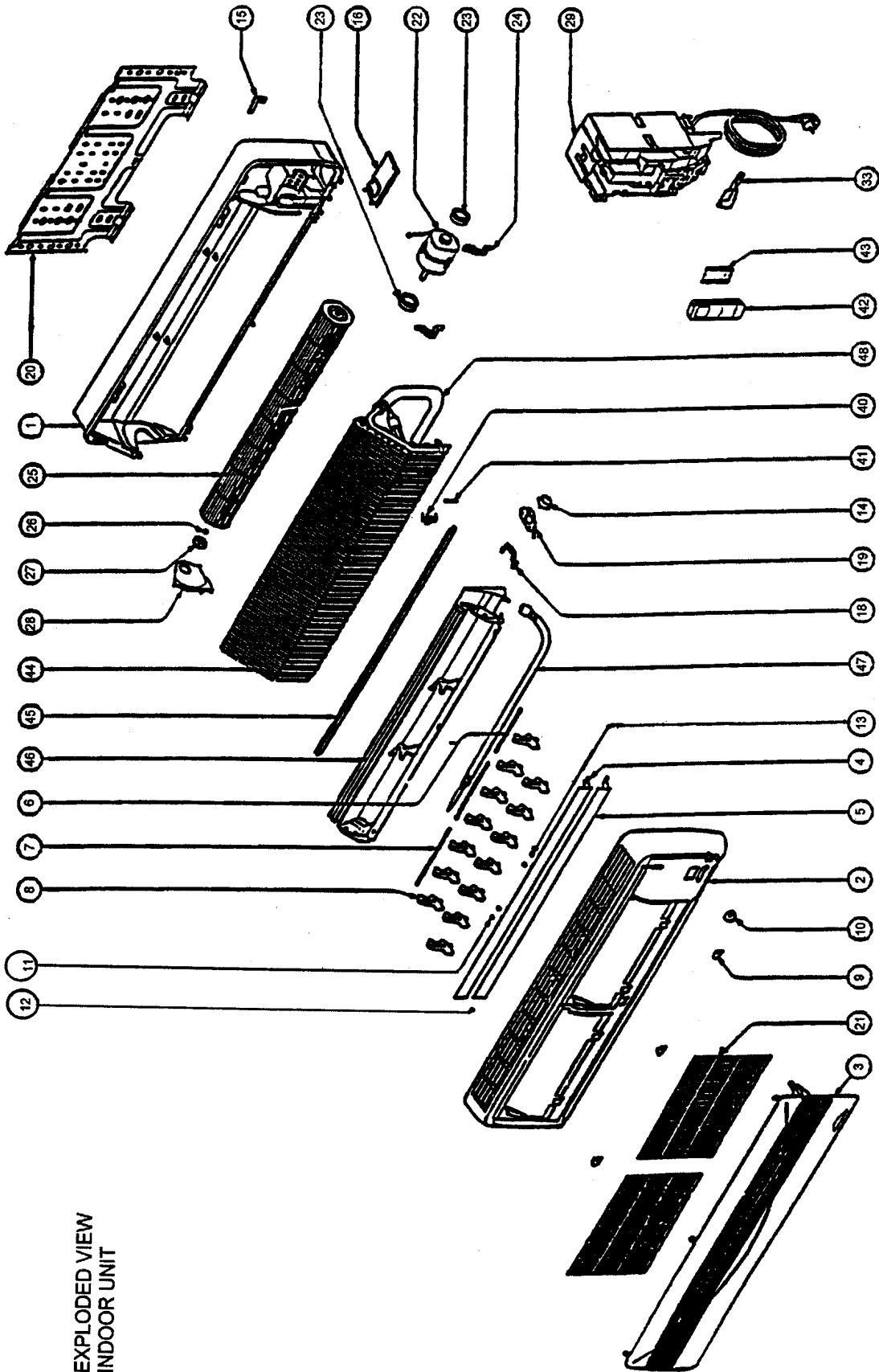


ITEM		PART DESCRIPTION	MIRACO P/N				DCC P/N
			42QN-18		42QN-24		42QN-18/24
			208/230-1-50		208/230-1-50		208/230-1-50
		P/N	QTY.	P/N	QTY.	P/N	
CASING GROUP							
1		BODY ASSEMBLY	028-02124-2-1	1	→	1	53KN3A1011B
2		GRILLE FRAME ASSEMBLY	028-02158-2-1	1	→	1	53QN3K50270
3		GRILLE INSERT ASSEMBLY	028-02162-6-1	1	→	1	53QN3A5028A
4		BLADE 1 - VERTICAL	028-02139-9-1	14	→	14	53KN3A32160A
5	NI	BLADE 2 - VERTICAL	028-02140-4-1	2	→	2	53KN3A32170B
6		BAR - BLADE	028-02141-1-1	2	→	2	53KN3A3218AB
7	NI	SUPPORT CENTER FLAP	028-02142-7-1	1	→	1	53KN3A32200B
8		SUPPORT FLAP	028-02143-4-1	2	→	2	53KN3A3219BB
9		FLAP L - 1	028-02144-1-1	1	→	1	53KN3A22120B
10		FLAP L - 2	028-02145-7-1	1	→	1	53KN3A22130B
11		FLAP R - 1	028-02146-4-1	1	→	1	53KN3A22140B
12		FLAP R - 2	028-02147-1-1	1	→	1	53KN3A22150B
13	NI	LINK L SUBASSEMBLY	028-02148-7-1	1	→	1	53KN3A3022A
14	NI	BRACKET L - SWEEP	028-02156-8-1	1	→	1	53KN3A32260B
15	NI	STEP MOTOR - L	024-00162-4-1	1	→	1	53QN3A5545B
16	NI	LINK R SUBASSEMBLY	028-02153-8-1	1	→	1	53KN3A3023A
17	NI	BRACKET R - SWEEP	028-02157-5-1	1	→	1	53KN3A3227B
18	NI	STEP MOTOR - R	024-00161-7-1	1	→	1	53QN3A5546B
19		BODY INSERT	028-02127-2-1	1	→	1	53KN3A2236A
20		FRAME INSERT	028-02160-3-1	1	→	1	53KN3A22430B
21	NI	MOUNTING PLATE	063-01200-7-1	1	→	1	53KN3A2104A
22		BODY BRACKET	028-02126-5-1	1	→	1	53KN3A41120
23		SCREW CAP	028-02164-9-1	3	→	3	53KN3A42340B
24	NI	GRILLE INSERT	028-02163-3-1	1	→	1	53KN3A41120
25	NI	RECIVER COVER	028-02161-9-1	1	→	1	-
26		FILTER ASSEMBLY	028-02128-8-1	2	→	2	53QN3K30290
FAN & MOTOR GROUP							
27	NI	SCREW TAPPING	021-00157-5-3	2	→	2	-
28		MOTOR:					-
		UNIT SERIAL No.: PERIOR TO 20000	024-00155-9-1	1	→	1	-
		FROM 20000 TO 32730	024-00159-6-1	1	→	1	-
		SIZE 18K (32731-44999) & SIZE 24K (32731-46999)	024-00155-9-1	1	→	1	-
		SIZE 18K From 45000 & SIZE 24K From 47000	024-00108-9-1	1	→	1	PM001AGO960
29		BLOWER ASSEMBLY (RIGHT SIDE)					
		UNIT SERIAL No.: PERIOR TO 20000	026-00581-9-1	1	→	1	-
		FROM 20000 to 32730	026-00616-4-1	1	→	1	-
		FROM 32731	026-00581-9-1	1	→	1	-
30		BLOWER ASSEMBLY (LIFT SIDE)					
		UNIT SERIAL No.: PERIOR TO 20000	026-00580-7-1	1	→	1	-
		FROM 20000 to 32730	026-00615-7-1	1	→	1	-
		FROM 32731	026-00580-7-1	1	→	1	-
31		CUSHION - MOTOR	028-00683-9-1	2	→	2	53KT3A49020
32		BRACKET R - MOTOR	028-02130-9-1	1	→	1	53KN3A32100
33		BRACKET L - MOTOR	028-02131-6-1	1	→	1	53KN3A32110
34		BRACKET BEARING	028-02129-5-1	1	→	1	53KDBB30120
35		CUSHION - BEARING	028-00684-6-1	2	→	2	53KN3A30150
36		BEARING PLATE	028-00648-5-1	2	→	2	-
ELECTRICAL & CONROL GROUP							
36	NI	CONTROL BOX ASSEMBLY:					
		UNIT SERIAL No.: Perior - 15000	025-01522-4-1	1	→	1	-
		SIZE 18K(20000-44999) & SIZE 24K (20000-46999)	363-13712-7-2	1	→	1	-
		SIZE 18K FROM (45000) & SIZE 24K (47000)	025-01580-9-1	1	→	1	42QN8D58000
37	NI	SENSOR CLIP	021-00862-3-1	1	→	1	SW711A4141A
38	NI	SENSOR HOLDER	028-02165-6-1	1	→	1	53KN3A32440

CATALOG No.:DED-4207-001(10 \ 00)

SUPERSEDES :DED-4202-001 & DED-4206-001

NOTE :SEE " CATALOG NOTICE " ON LAST PAGE FOR EXPLANATION.

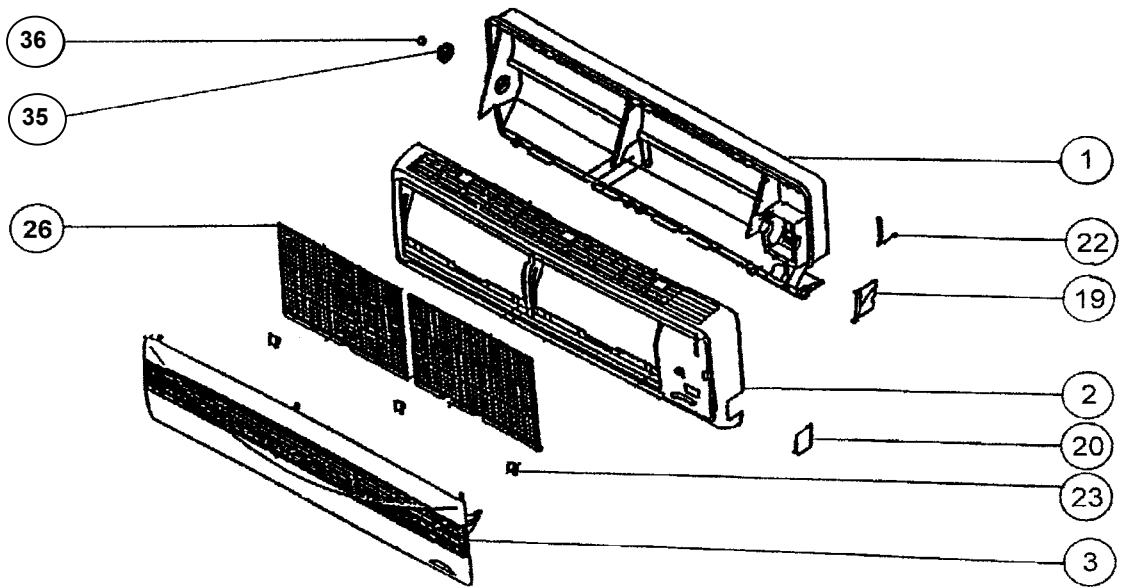


EXPLODED VIEW
INDOOR UNIT

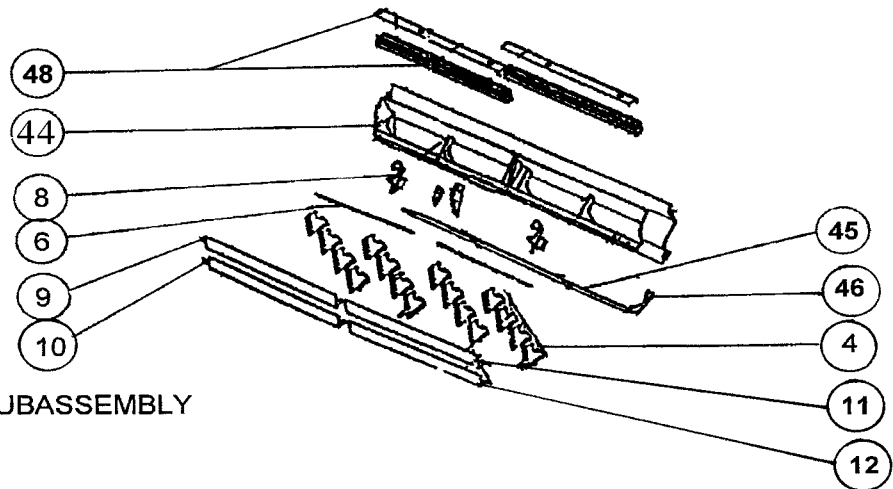
CATALOG No.:DED-4207-001(10 \ 00)

SUPERSEDES :DED-4202-001 & DED-4206-001

NOTE :SEE " CATALOG NOTICE " ON LAST PAGE FOR EXPLANATION.

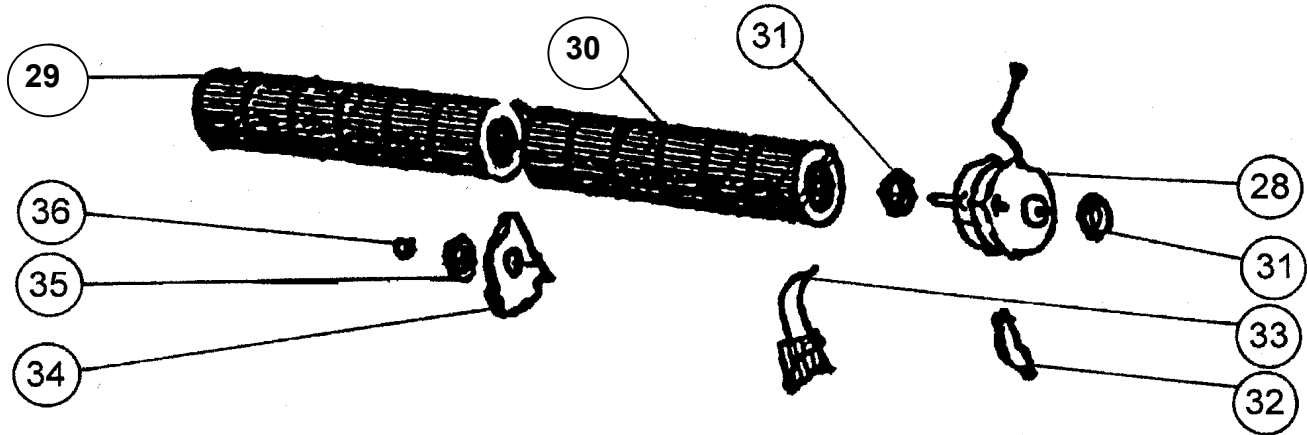


BODY SUBASSEMBLY

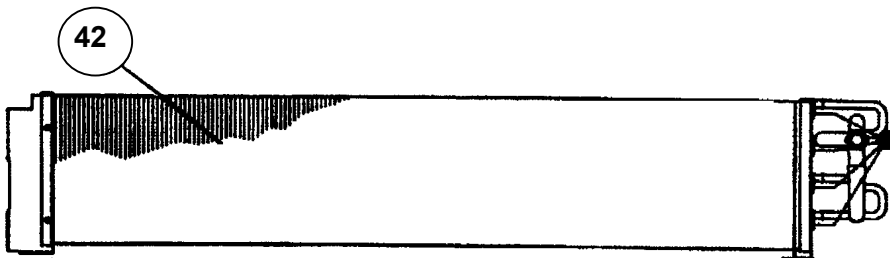
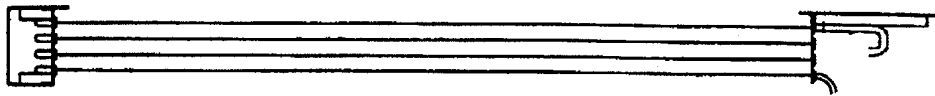


GRILL & DRAIN SUBASSEMBLY

42QN
SIZE 18/24



FAN & MOTOR SUBASSEMBLY



INDOOR COIL ASSEMBLY

CATALOG No.:DED-4207-001(10 \ 00)

SUPERSEDES :DED-4202-001 & DED-4206-001

NOTE :SEE " CATALOG NOTICE " ON LAST PAGE FOR EXPLANATION.

DESIGN ENGINEERING DEPARTMENT

GENERAL NOTES

- 1- This catalog contains those items most commonly required for replacement purpose. If parts other than those cataloged are required. Please provide the model number and serial number of the unit on which the parts are to be used and a complete description including references to items which are cataloged.
- 2- Casing parts and panels not normally stocked, but are available upon request while in production. Request for casting parts and panels for units no longer in production must be cleared for availability prior to submitting an order.
- 3- Complete " accessory packages " of " F.I.O.P. 'S " (Factory - Installed Option Plan) are not normally stocked.
- 4- Data may change without previous notice, According to policy of continual product development.

CATALOG NOTES

- 1- The part number in the model column indicates the part number required for that model, size and/or voltage.
- 2- An arrow (\longrightarrow) in the model column indicates that the model, size and/or voltage uses the same part number as the part number shown to the left.
- 3- An X in the model column indicates that the part is not used on that model, size and/or voltage.
- 4- the nation "NI" following the item number indicates that the item is not illustrated in the catalog.

ORDERING INSTRUCTIONS

- 1- All order should include the complete model and serial number of the unit on which the parts are to be used, and the part number and description of each part.
- 2- Dealers should forward orders to the Carrier Branches (Totaline) in Egypt.