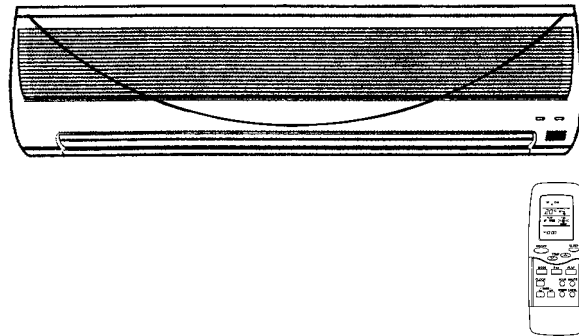




# SERVICE PARTS MANUAL



## HI WALL INDOOR ROOM AIR CONDITIONERS

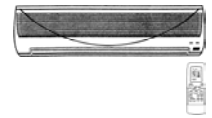
---

42QG14-18-24 HEAT PUMP

42KG14-18-24 COOL ONLY



ISO 9001/2000



## TABLE OF CONTENTS

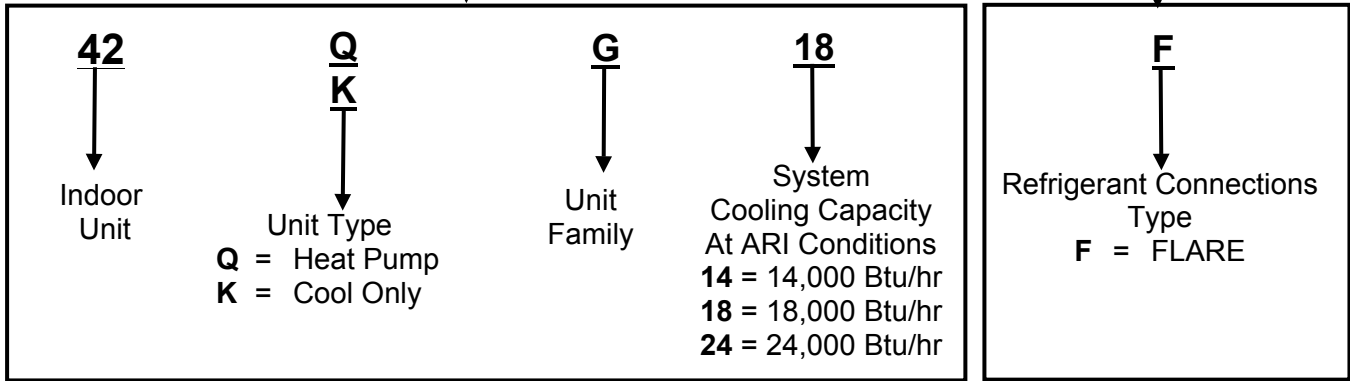
	PAGE NO.
1. UNIT MODEL DESIGNATION & IDENTIFICATION	1
2. UNIT MODELS & PART NUMBERS	1
3. UNIT EXPLODED VIEW	2
4. UNIT PART LIST	3
5. SETTINGS OF DIP SWITCHES IN CONTROL PCB	4



### 1. UNIT MODEL DESIGNATION

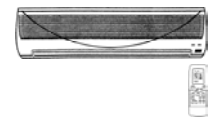
&

### IDENTIFICATION

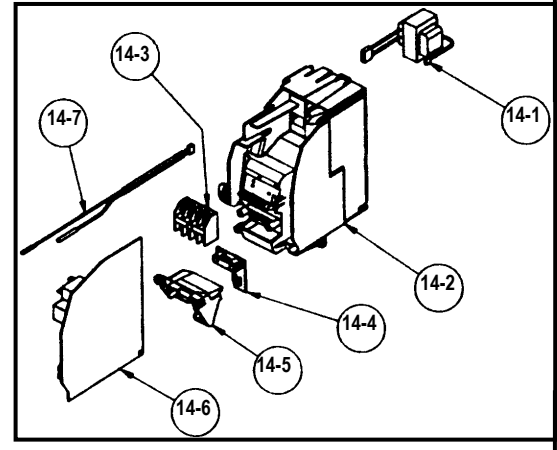
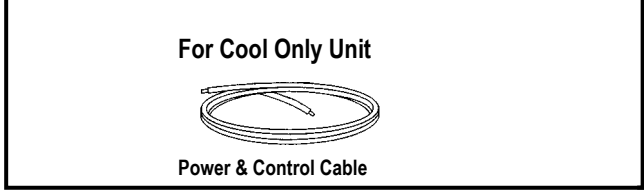
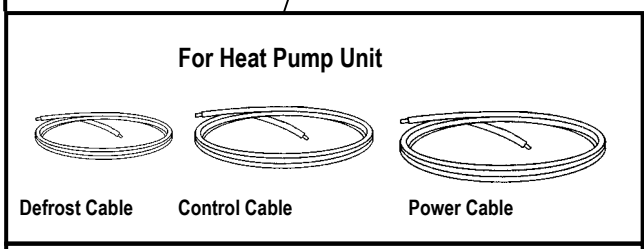
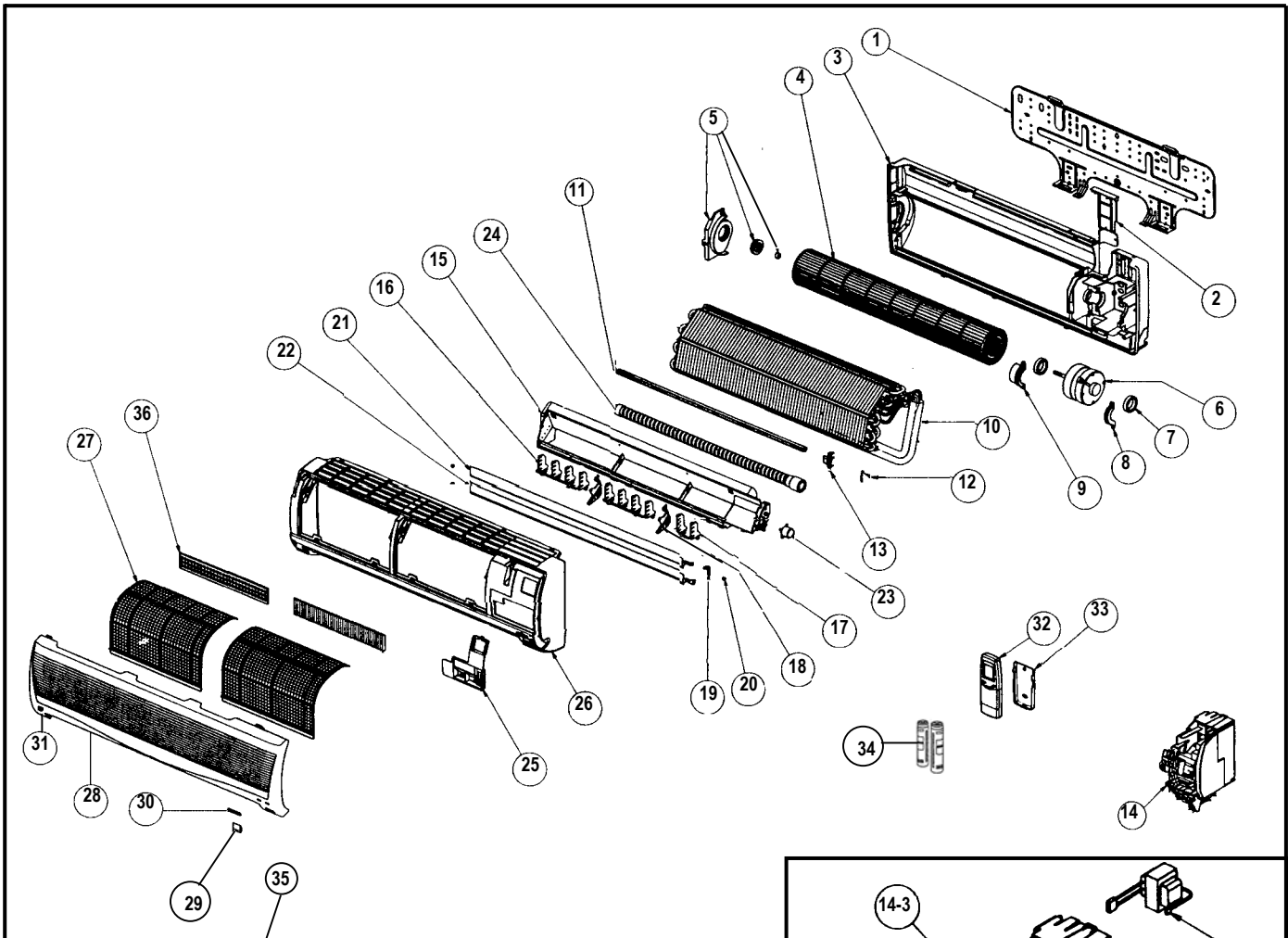


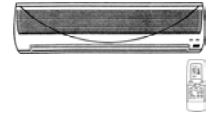
### 2. UNIT MODELS & PART NUMBERS

200-240V/1PH/50HZ			200-240V/1PH/50HZ		
Heat Pump			Cool Only		
Model	P/N	ID	Model	P/N	ID
<b>42QG14</b>	463-03200	F	<b>42KG14</b>	463-03203	F
<b>42QG18</b>	463-02671	F	<b>42KG18</b>	463-03559	F
<b>42QG24</b>	463-02672	F	<b>42KG24</b>	463-03560	F



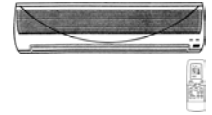
### 3. UNIT EXPLODED VIEW





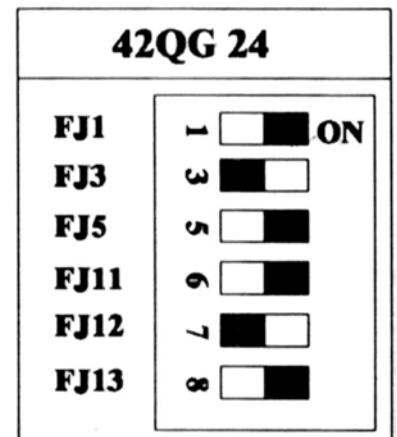
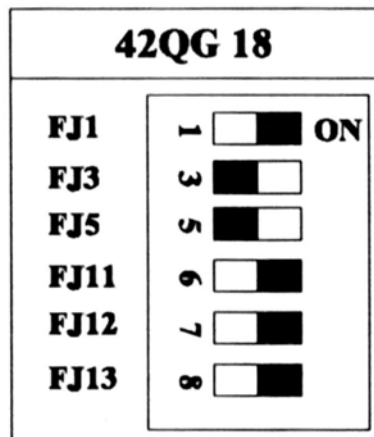
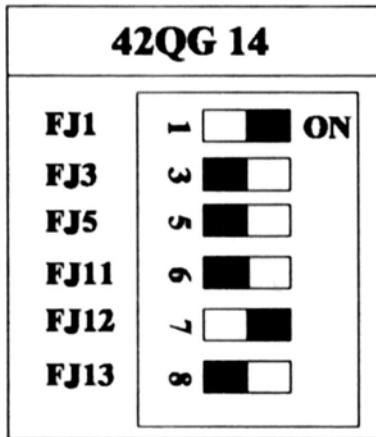
#### 4. UNIT PART LIST

NO.	PART NAME	PART NUMBER	QUANTITY / UNIT					
			42QG			42KG		
			14	18	24	14	18	24
1	Mounting Bracket 42KG8A1101A	063 - 13785	1	1	1	1	1	1
2	Insert, Body	028 - 02464	1	1	1	1	1	1
3	Body Assy	363 - 14700	1	1	1	1	1	1
4	Blower Assy	026 - 00408	1	1	1	1	1	1
5	Bracket, Bearing & Cushion Assy	028 - 02471	1	1	1	1	1	1
6	Motor, Fan PM001AG131A	024 - 00193	1	1	1	1	1	1
7	Cushion, Motor 42KG5A4904A	028 - 03030	2	2	2	2	2	2
8	Bracket R, Motor	028 - 02462	1	1	1	1	1	1
9	Bracket L, Motor	028 - 02463	1	1	1	1	1	1
10	Indoor Coil & Headers Assy	026 - 00189	1	1	1	1	1	1
11	Guard, Evap 42KG8A32280	028 - 02335	1	1	1	1	1	1
12	Clip, Sensor	021 - 00862	1	1	1	1	1	1
13	Holder, Sensor	028 - 02165	1	1	1	1	1	1
14	<b>Control Box Assy</b>							
14-1	Transformer PTC01BU046B	025 - 03127	1	1	1	1	1	1
14-2	Control Box 42KG5A1205C	028 - 02465	1	1	1	1	1	1
14-3	Terminal Block PTB00HB0010	025 - 01300	1	1	1	1	1	1
14-4	Leds & Receiver PCB 42QG5A5851A	025 - 03125	1	1	1	1	1	1
14-5	Indoor Coil & Room Air Sensors 42QG8A45000	025 - 03126	1	1	1	1	1	1
14-6	Bracket , Led 42KG8A2219A	028 - 02467	1	1	1	1	1	1
14-7	Control PCB	025 - 03119	1					
	(See Pages 4 & 5)	025 - 03120		1				
		025 - 03121			1			
		025 - 03122				1		
		025 - 03123					1	
		025 - 03124						1
15	Insulated Drain Pan Assy	363 - 14718	1	1	1	1	1	1
16	Blade 1, Vertical	028 - 02455	1	1	1	1	1	1
17	Blade 2, Vertical	028 - 02456	1	1	1	1	1	1
18	Support, Flap	028 - 02457	2	2	2	2	2	2
19	Link, Flap	028 - 02458	1	1	1	1	1	1
20	Bushing	028 - 02459	3	3	3	3	3	3
21	Flap 1	028 - 02460	1	1	1	1	1	1
22	Flap 2	028 - 02461	1	1	1	1	1	1
23	Stepping Motor PM007DV0060	024 - 00192	1	1	1	1	1	1
24	Hose Assy, Drain	028 - 02473	1	1	1	1	1	1
25	Cover, Terminal Block	028 - 02469	1	1	1	1	1	1
26	Grille, Frame	028 - 02452	1	1	1	1	1	1
27	Air Filter	028 - 02477	2	2	2	2	2	2
28	Grille, Insert	028 - 02453	1	1	1	1	1	1
29	Cover, Receiver	029 - 00757						
30	Sticker, Leds	029 - 00758	1	1	1	1	1	1
31	Carrier Logo	035 - 00092	1	1	1	1	1	1
32	Wireless Remote Control Assy 42KG5A1801A	025 - 01107	1	1	1	1	1	1
33	Case - Remote Control 53KN1A30160	025 - 01108	1	1	1	1	1	1
34	Battery Size AAA 1.5 Volt - Alkaline	025 - 01125	2	2	2	2	2	2
35	Set of Cables	025 - 00896	1	1	1			
		025 - 00895				1	1	1
36	<b>Optional Air Filters Assy</b>							
36-1	Optional Carbon Filter + Photo Catalyst Filter Assy	028 - 02466	1	1	1	1	1	1
36-2	Optional Carbon Filter + Electro static Filter Assy	028 - 02465	1	1	1	1	1	1

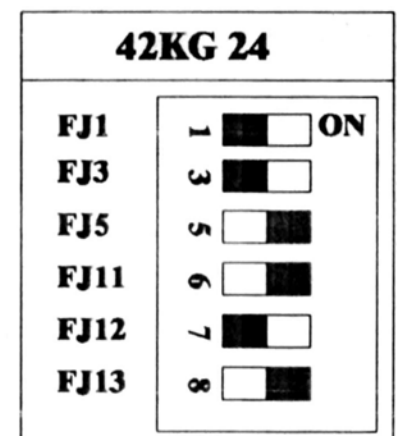
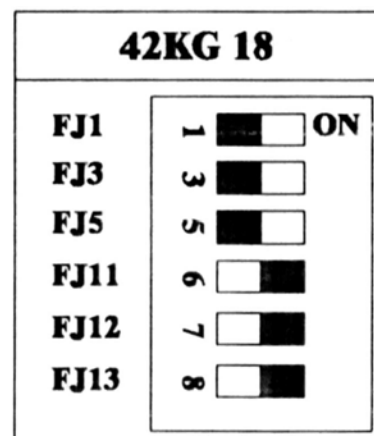
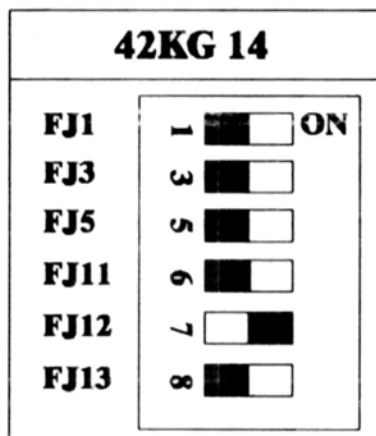


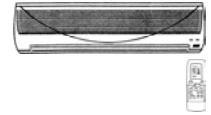
## 5. SETTINGS OF DIP SWITCHES IN CONTROL PCB

### 5.1 FOR HEAT PUMP INDOOR UNITS



### 5.2 FOR COOL ONLY INDOOR UNITS





## DIP SWITCHES SETTINGS LEGEND

**FJ1: Dip Switch for System Type**

Heat Pump if the switch FJ1 in ON position  
Cool Only if the switch FJ1 in OFF position

**FJ3: Dip Switch for Compressor Malfunction Test**

Not do compressor malfunction test if the switch FJ3 in ON position  
Do compressor malfunction test if the switch FJ3 in OFF position

**FJ5: Dip Switch for Casing Type**

For unit size 14 & 18, the switch FJ5 in OFF position  
For unit size 24, the switch FJ5 in ON position

**FJ13, FJ12, FJ11: Dip Switch for Indoor Fan Speeds**

**FJ13: Dip Switch for Indoor Fan High Speed**

**FJ12: Dip Switch for Indoor Fan Medium Speed**

**FJ11: Dip Switch for Indoor Fan Low Speed**

Speed dip switches FJ13, FJ12, FJ11 adjustments are as follows:

Unit Model	Unit Type	High FJ13		Medium FJ12		Low FJ11	
		Setting	RPM	Setting	RPM	Setting	RPM
42QG14	Heat Pump	OFF	1100	ON	1030	OFF	960
42KG14	Cool Only	OFF	1100	ON	1030	OFF	960
42QG18	Heat Pump	ON	1150	ON	1050	ON	950
42KG18	Cool Only	ON	1150	ON	1050	ON	950
42QG24	Heat Pump	ON	1300	OFF	1200	ON	1100
42KG24	Cool Only	ON	1300	OFF	1200	ON	1100