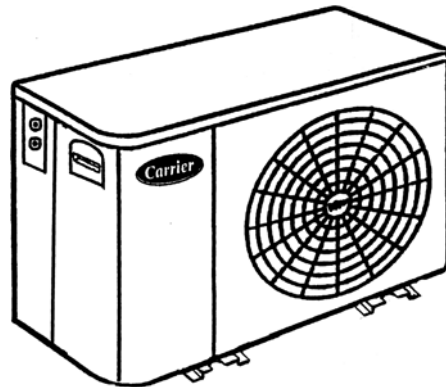


# SERVICE PARTS MANUAL



## OUTDOOR UNITS

---

38QG SERIES HEAT PUMP  
38KG SERIES COOL ONLY



ISO 9001/2000



## TABLE OF CONTENTS

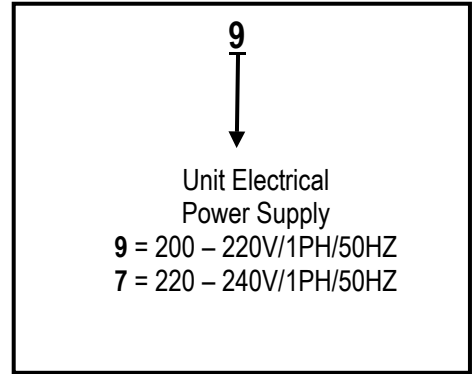
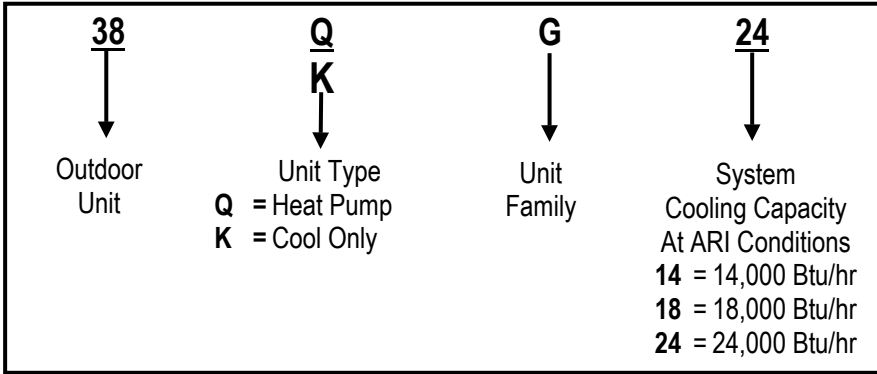
	PAGE NO.
1. UNIT MODEL DESIGNATION & IDENTIFICATION	1
2. UNIT MODEL & PART NUMBER	1
3. UNIT EXPLODED VIEW	2
4. UNIT PART LIST	3



### 1. UNIT MODEL DESIGNATION

&

### IDENTIFICATION



### 2. UNIT MODELS & PART NUMBERS

HEAT PUMP 200-220V/1PH/50HZ			COOL ONLY 200-220V/1PH/50HZ		
Unit Model	P/N	ID	Unit Model	P/N	ID
38QG14	463 – 02687	9	38KG14	463 – 02607	9
38QG18	463 – 02696	9	38KG18	463 – 02617	9
38QG24	463 – 02706	9	38KG24	463 – 02626	9

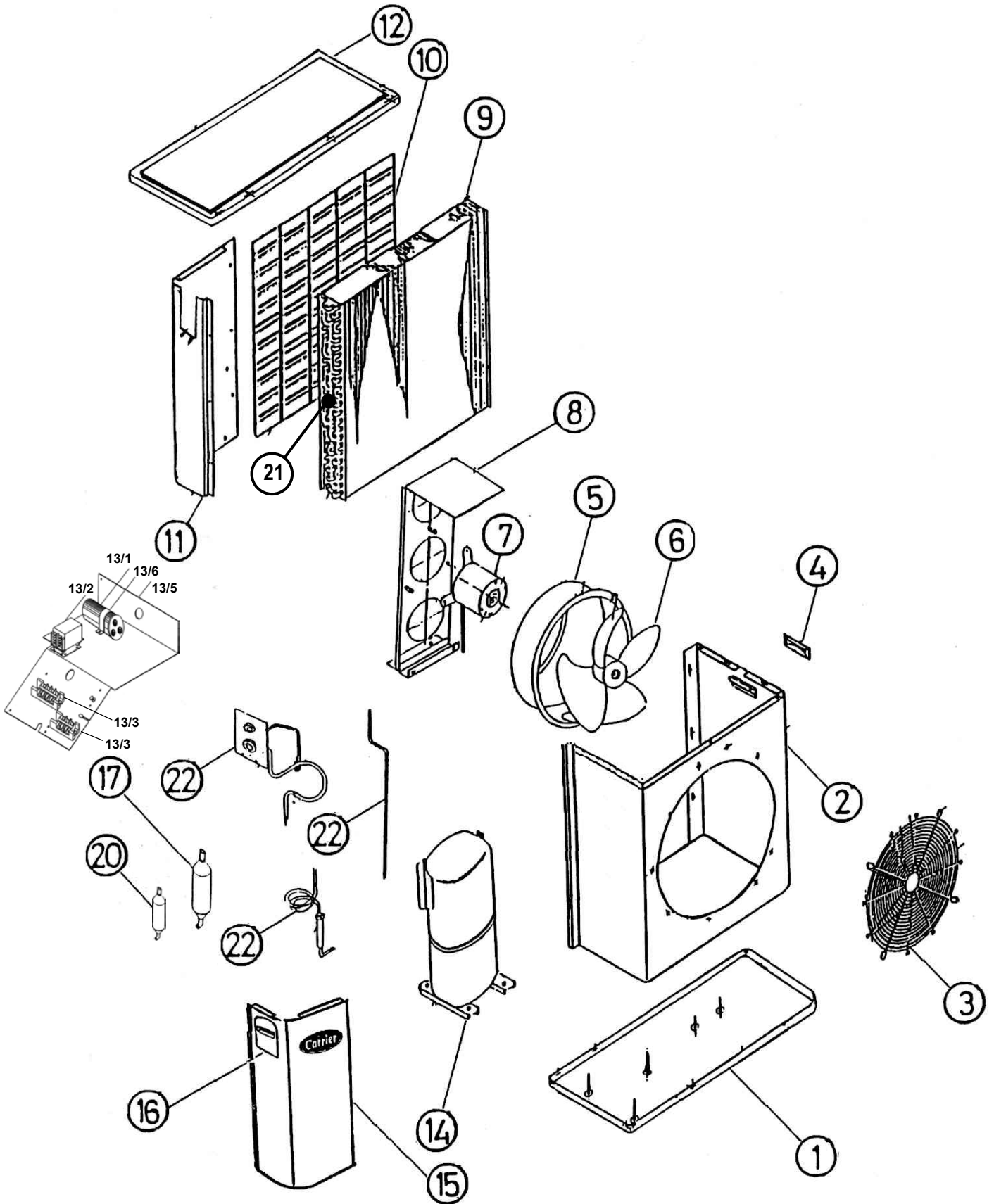
HEAT PUMP 220-240V/1PH/50HZ			COOL ONLY 220-240V/1PH/50HZ		
Unit Model	P/N	ID	Unit Model	P/N	ID
38QG14	463 – 02714	7	38KG14	463 – 02234	7
38QG18	463 – 02725	7	38KG18	463 – 02235	7
38QG24	463 – 02734	7	38KG24	463 – 02236	7

HEAT PUMP 220-240V/1PH/50HZ		
Unit Model	P/N	ID
38QG14	463 – 02174	7N
38QG18	463 – 02175	7N
38QG24	463 – 02176	7N

N = North European Countries



### 3. UNIT EXPLODED VIEW





## 4. UNIT PART LIST



SR.	DESCRIPTION	PART NUMBER	QTY./UNIT					
			38QG			38KG		
			14	18	24	14	18	24
1	COND. BASE	363-10610	1	1	1	1	1	1
2	COND. SHROUD SUBASSY.	363-11252	1			1		
		363-11301		1	1		1	1
3	GUARD PROPELLER	028-03101	1	1	1	1	1	1
4	HANDLE	029-01209	1	1	1	1	1	1
5	BELL MOUTH	028-02867	1	1	1	1	1	1
6	PROPELLER - 4 BLADES - 444 MM DIAM. C/W Socket Set Screw 8 x 8 mm	026-00441	1	1	1	1	1	1
7	CONDENSER MOTOR Motor 1/10 HP-860 RPM	024-00154	1	1	1	1	1	1
8	CONDENSER MOTOR SUPPORT SUBASSY.	363-10611	1	1	1	1	1	1
9	CONDENSER COIL SUBASSY.							
	9.1 Cond. Coil 1 Row - 26.55" x 22" F.A	026-00324	1			1		
	9.2 Cond. Coil 2 Row - 24" x 22" F.A	026-00305					1	
	9.3 Cond. Coil 3 Row - 24" x 22" F.A	026-00306						1
	9.4 Cond. Coil 2 Row - 24" x 22" F.A	026-00320		1				
9.5 Cond. Coil 3 Row - 24" x 22" F.A	026-00310			1				
10	COIL GUARD							
	10.1 Coil Guard 668 X 556 mm	026-02610	1			1		
	10.2 Coil Guard 608 X 556 mm	026-02602		1	1		1	1
11	COND. BACK PANEL SUBASSY.	363-11308	1	1	1	1	1	1
12	COND. COVERS.	063-01107	1	1	1	1	1	1
13	ELECTRICAL BOX SUBASSY.	363-11365	1					
		363-13460		1				
		363-13461			1			
		363-11253				1		
		363-11635					1	
		363-11320						1
13.1	DUAL CAPACITOR							
	13.1.1 Dual Capacitor 30 + 5 MFD/370 VAC	024-00380	1			1		
	13.1.2 Dual Capacitor 40 + 5 MFD/370 VAC	024-00644	1	1	1*		1	1*
	13.1.3 Dual Capacitor 50 + 5 MFD/440 VAC	024-00379			1**			1**
13.2	CONTACTOR 2POLE-25 AMPS	024-00580	1	1	1	1	1	1
13.3	TERMINAL BLOCKS							
	13.3.1 Terminal Block 2 Poles	025-01301	1	1	1			
	13.3.2 Terminal Block 3 Poles-20 Amps	025-01314	1	1	1	1	1	1
	13.3.3 Terminal Block 4 Poles	025-01405				1	1	1
	13.3.4 Terminal Block 6 Poles	025-01433	1	1	1			
13.4	PTC STARTER MODEL SPP (Optional)	025-01579	1	1	1	1	1	1
13.5	COND. ELECTRICAL BOX	063-01112	1	1	1	1	1	1
13.6	CAPACITOR CLAMP	063-01283	1	1	1	1	1	1
14	COMPRESSOR COMPLETE WITH ACCESSORIES							
14.1	COMPRESSOR FOR UNIT 200-220V/1PH/50HZ COMPLETE WITH GROMMETS & SPACERS							
	14.1.1 Sanyo Comp. 80614444	015-00235	1			1		
	14.1.2 Tecumseh Comp. AH5524	015-00222		1			1	
	OR Bristol Comp. H24B24QABJA	015-01008		1			1	
	14.1.3 Tecumseh Comp. AH5531	015-00255			1			1
	OR Copeland Comp. CR32KQ-PFT	015-01007			1			1
14.2	COMPRESSOR FOR UNIT 220-240V/1PH/50HZ COMPLETE WITH GROMMETS & SPACERS							
	14.4 Bristol Comp. H24B17QABHA	015-00153	1			1		
	14.5 Bristol Comp. H24B24QABHA	015-00010		1			1	
	14.6 Copeland Comp. CR32KQ-PFT	015-01007			1			1

Notes: \* Dual Capacitor 40+5 MFD/370 VAC with Tecumseh Comp. AH5531  
 \*\* Dual Capacitor 50+5 MFD/440 VAC with Copeland Comp. CR32KQ-PFT



## UNIT PART LIST (Cont.)

SR.	DESCRIPTION	PART NUMBER	QTY./UNIT					
			38QG			38KG		
			14	18	24	14	18	24
15	COND. FRONT PANEL SUBASSY.	363-11307	1	1	1	1	1	1
16	SERVICE DOOR	028-03106	1	1	1	1	1	1
17	ACCUMULATOR							
	20.1 Accumulator – Copper Shell	023-01017	1	1	1			
	20.2 Accumulator – Steel Shell	023-01012	1	1	1			
18	REVERSING VALVE – 4 WAY	022-00405	1	1	1			
19	COIL - REVERSING VALVE	025-02507	1	1	1			
20	MUFFLER	063-08163	1	1	1			
21	OUTDOOR COIL SENSOR	025-02503	1	1	1			
22	TUBING							
	22.1 Tubing (For Unit With Sanyo Comp.)	363-19107	1					
	22.2 Tubing (For Unit With Tecumseh Comp.)	363-19108		1				
	22.3 Tubing (For Unit With Bristol Comp.)	363-19109		1				
	22.4 Tubing (For Unit With Tecumseh Comp.)	363-19110			1			
	22.5 Tubing (For Unit With Copeland Comp.)	363-19111			1			
	22.6 Tubing (For Unit With Sanyo Comp.)	363-19112				1		
	22.7 Tubing (For Unit With Tecumseh Comp.)	363-19113					1	
	22.8 Tubing (For Unit With Bristol Comp.)	363-19114					1	
	22.9 Tubing (For Unit With Tecumseh Comp.)	363-19115						1
	22.10 Tubing (For Unit With Copeland Comp.)	363-19116						1