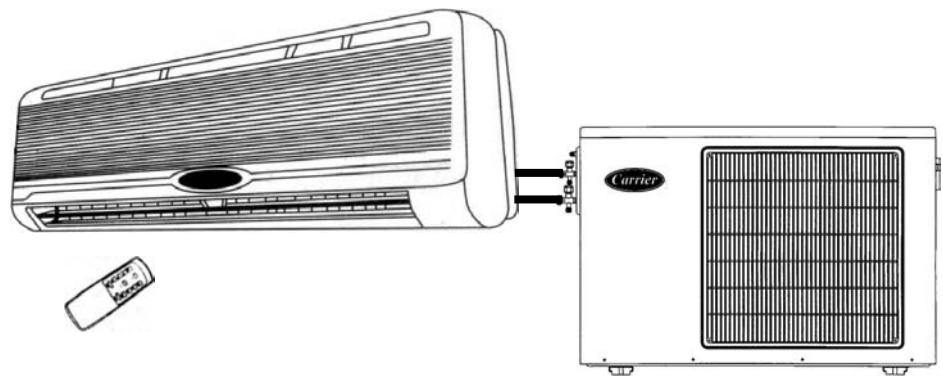




# SERVICE PARTS MANUAL



## HI-WALL SPLIT ROOM AIR CONDITIONERS

MODEL 53QH12-H HEAT PUMP  
MODEL 53QH12-C COOL ONLY





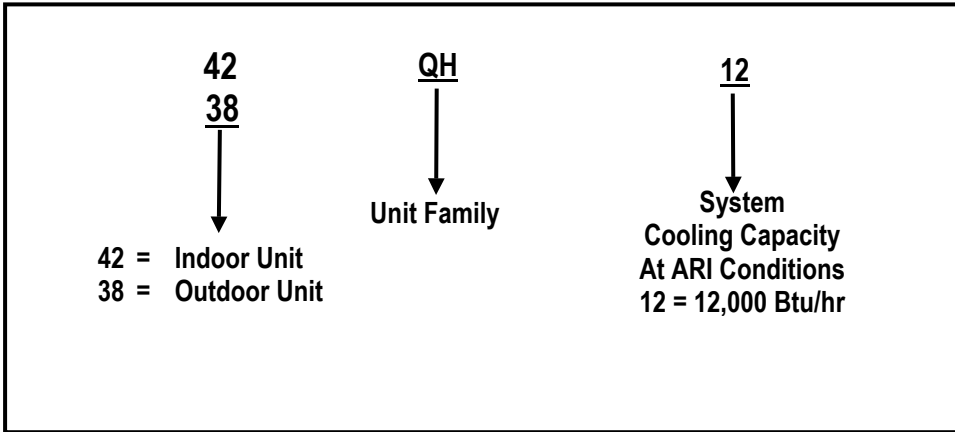
## TABLE OF CONTENTS

	PAGE NO.
1. Unit Model Designation & Identification	1
2. Unit Models & Part Numbers	1
3. Exploded View of Indoor Unit	2
4. Part List of Indoor Unit	3
5. Exploded View of Outdoor Unit	4
6. Part List of Outdoor Unit	5

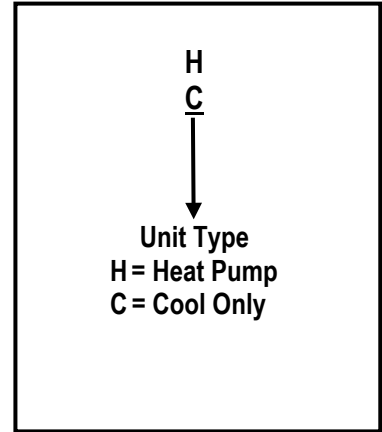


## 1. UNIT MODEL DESIGNATION & IDENTIFICATION

### UNIT MODEL DESIGNATION



### IDENTIFICATION (ID)



## 2. UNIT MODELS & PART NUMBERS

### INDOOR UNIT

#### Heat Pump

V±10%/1PH/50HZ	Model	P/N	ID
200-220	42QH12-H	463-02195	H

#### Cool Only

V±10%/1PH/50HZ	Model	P/N	ID
200-220	42QH12-C	463-02197	C

### OUTDOOR UNIT

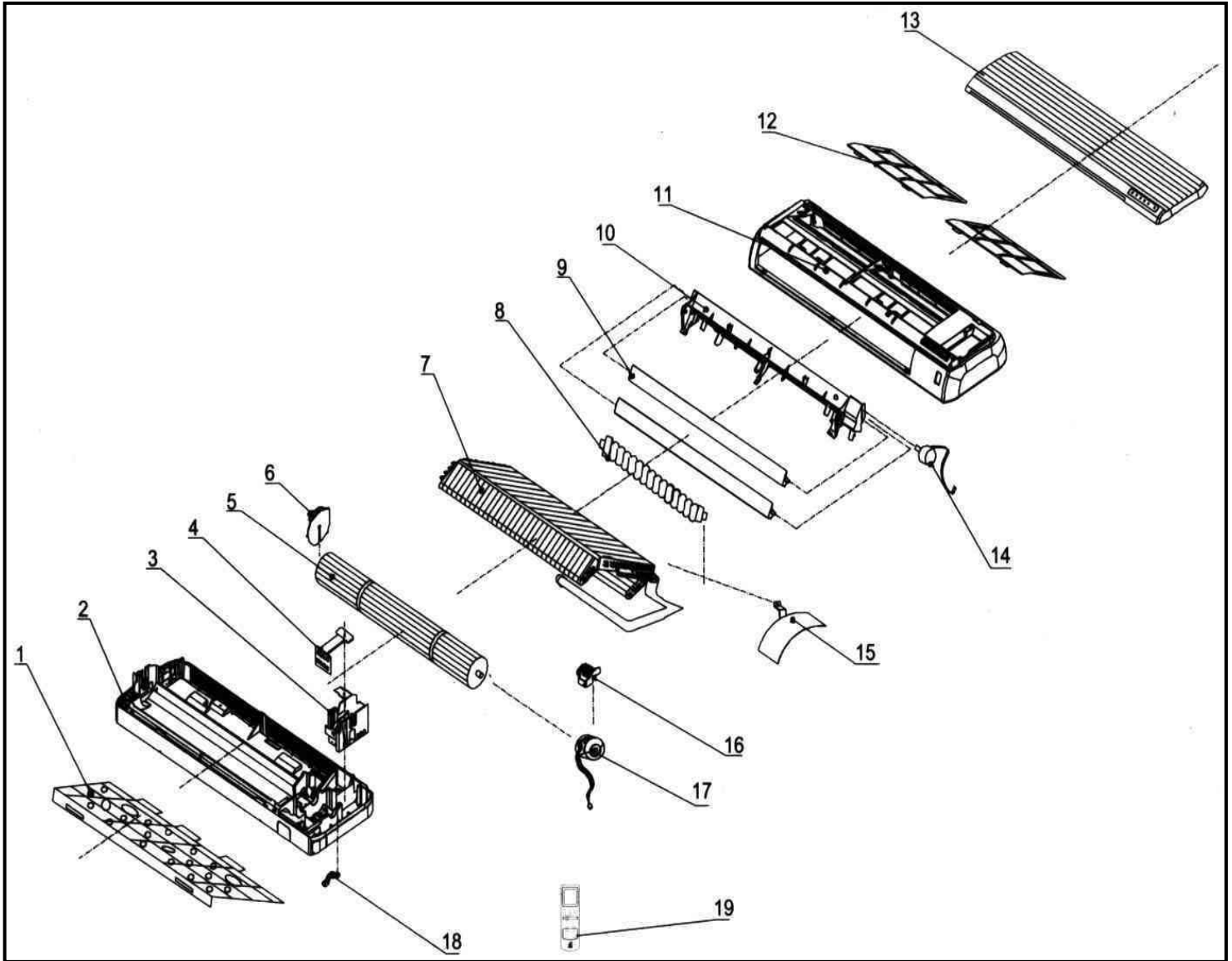
#### Heat Pump

V±10%/1PH/50HZ	Model	Compressor Type	P/N	ID
200-220	38QH12-H	Rotary	463-03332	H

#### Cool Only

V±10%/1PH/50HZ	Model	Compressor Type	P/N	ID
200-220	38QH12-C	Rotary	463-03334	C

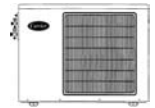
3. EXPLODED VIEW OF INDOOR UNIT



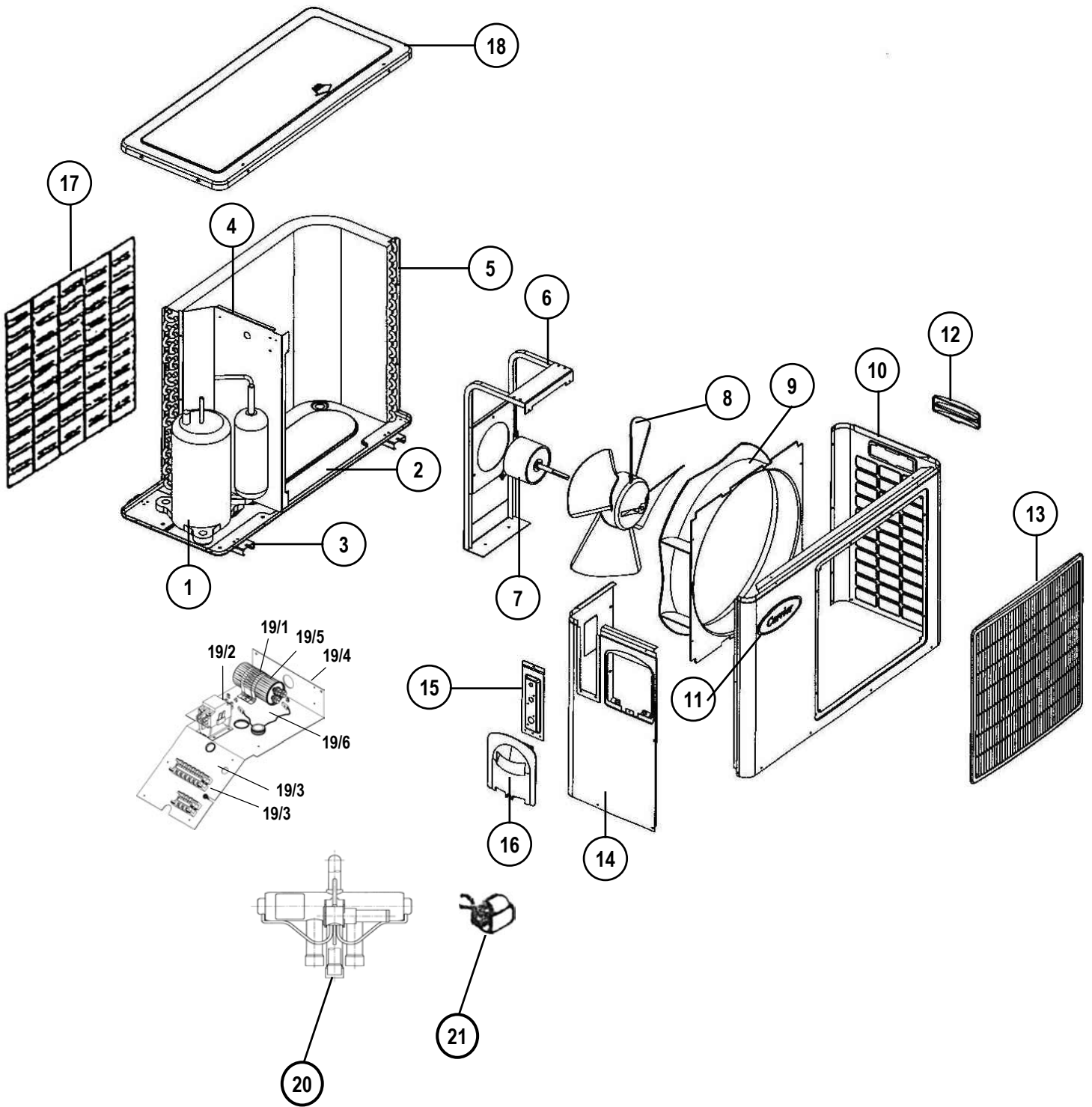


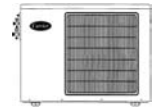
#### 4. PART LIST OF INDOOR UNIT

NO.	PART NAME	PART NUMBER	QUANTITY / UNIT	
			42QH12- H	42QH12- C
1	Wall Mounting Frame	36318698	1	1
2	Slot Basis	02802455	1	1
3	Electric Box Assy			
	3.1 Control PCB	02503145	1	1
	3.2 Transformer	02503177	1	1
	3.3 Indoor Coil Sensor	02503147	1	1
	3.4 Return Air Sensor	02503148	1	1
	3.5 Electrical Box	02502475	1	1
	3.6 Terminal Board	02503179	1	1
	3.7 Power Supply Board	02503178	1	1
	3.8 Wire Connection (Red)	02503181	1	
	3.9 Wire Connection (Orange)	02503182	1	
	3.10 Wire Connection (Black)	02503183	1	1
	3.11 Wire Connection (Blue)	02503184	1	1
4	Display Board	02503146	1	1
5	Cross Flow Fan	02802451	1	1
6	Motor Left Fixing Board	02802488	1	1
7	Evaporator Coil	02600150	1	1
8	Drain Tube	02802468	1	1
9	Guide Louver	02802380	2	2
10	Swing Louver	02802381	1	1
11	Front Panel	02802476	1	1
12	Air Filter	02802382	2	2
13	Inlet Grille	02802489	1	1
14	Stepping Motor	02400011	1	1
15	Eliminating Plate	02802457	1	1
16	Motor Right Fixing Board	02802456	1	1
17	Indoor Motor	02400012	1	1
18	Pipe Clip	02402467	1	1
19	Remote Controller	02503176	1	1



5. EXPLODED VIEW OF OUTDOOR UNIT





## 6. PART LIST OF OUTDOOR UNIT

SR.	DESCRIPTION	PART NUMBER	QTY./UNIT	
			38QH12-H	38QH12-C
1	<b>COMPRESSOR</b> COMPLETE WITH ACCESSORIES Sanyo Comp. 80614444	01500235	1	1
2	<b>COND. BASE</b>	06307404	1	1
3	<b>SUPPORTING FOOT ASSY</b>	36314043	2	2
4	<b>COND. PARTITION</b>	06307407	1	1
5	<b>CONDENSER COIL SUBASSY.</b> Cond. Coil 1 Row – 33.46" x 22" - 12FPI	02600227	1	1
6	<b>CONDENSER MOTOR SUPPORT SUBASSY.</b>	36318330	1	1
7	<b>CONDENSER MOTOR</b> Motor 1/10 HP-860 RPM	02400154	1	1
8	<b>PROPELLER - 4 BLADES – 444 MM DIAM.</b> C/W Socket Set Screw 8 x 8 mm	02600441	1	1
9	<b>ORIFICE PROPELLER</b>	02803112	1	1
10	<b>COND. SHROUD</b>	06307406	1	1
11	<b>CARRIER LOGO</b>	02900615	1	1
12	<b>HANDLE</b>	02803110	1	1
13	<b>GUARD PROPELLER</b>	02803113	1	1
14	<b>COND. BACK PANEL</b>	06307409	1	1
15	<b>COUPLING PANEL</b>	06307410	1	1
16	<b>SERVICE DOOR</b>	02803106	1	1
17	<b>COIL GUARD</b>	02803114	1	1
18	<b>COND. COVER</b>	06307400	1	1
19	<b>ELECTRICAL BOX SUBASSY</b>	36313882	1	
19.1	<b>DUAL CAPACITOR</b> Dual Capacitor 30 + 5 MFD/370 VAC	36314032 02400380		1 1
19.2	<b>CONTACTOR FOR COMPRESSOR</b> Contactor 2 Poles-25 Amps 190-200V Coil	02400580	1	1
19.3	<b>TERMINAL BLOCKS</b>			
	19.3.1 Terminal Block 6 Poles-30 Amps	02501433	1	
	19.3.2 Terminal Block 3 Poles-30 Amps	02501315	1	1
19.4	<b>COND. ELECTRICAL BOX</b>	06307405	1	1
19.5	<b>CAPACITOR CLAMP</b>	06301283	1	1
19.6	<b>PTC STARTER MODEL SPP POW-R-PAK (OPTION)</b>	02501579	1	1
20	<b>REVERSING VALVE</b>	02200405	1	
21	<b>COIL - REVERSING VALVE</b>	02502507	1	
22	<b>TUBING</b>	36314094 36314034	1	 1