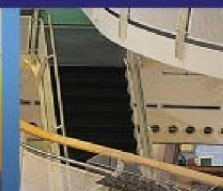
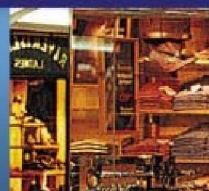
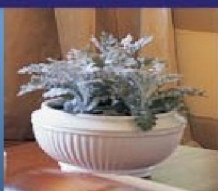
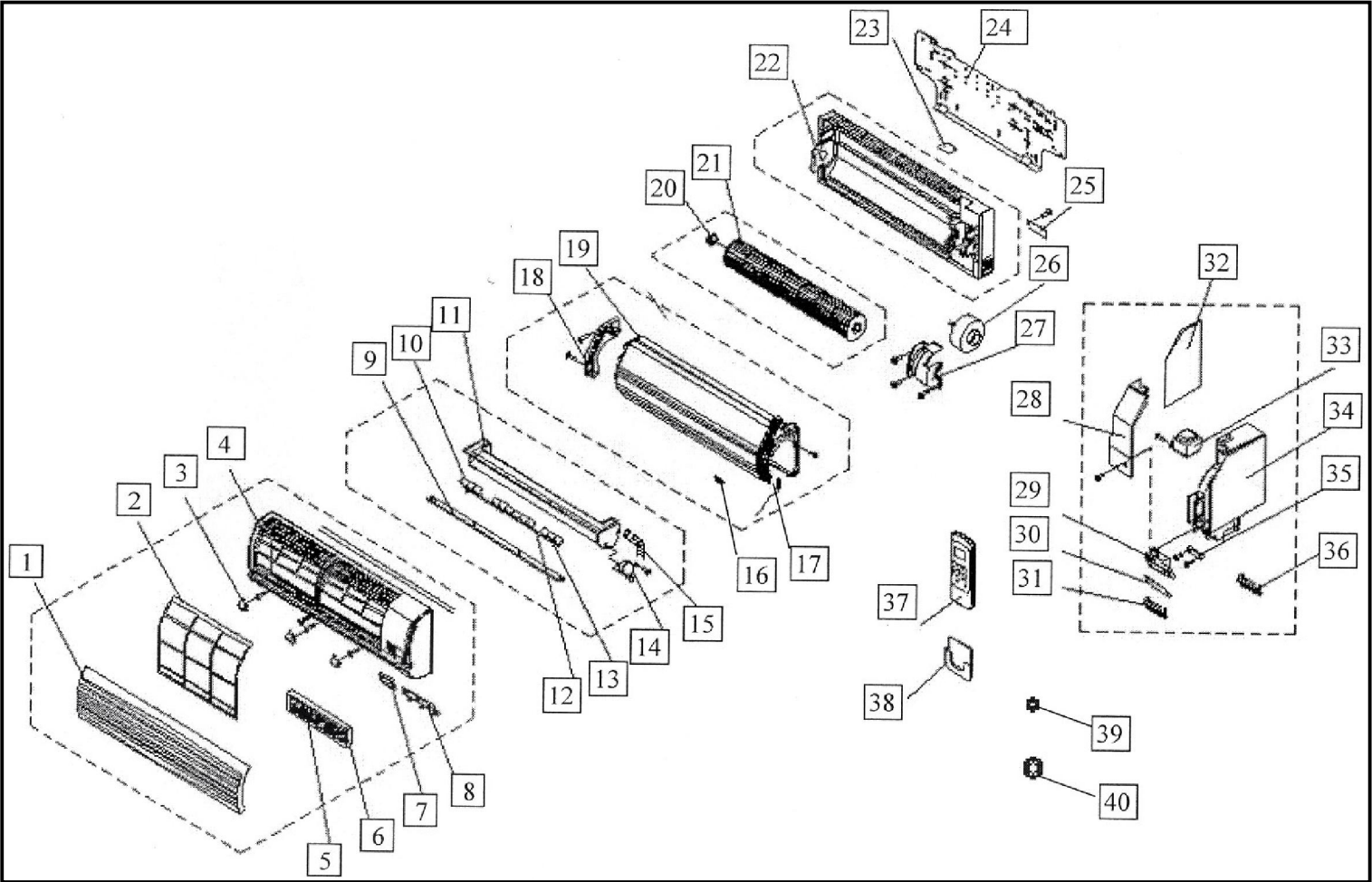




# IVORY STAR



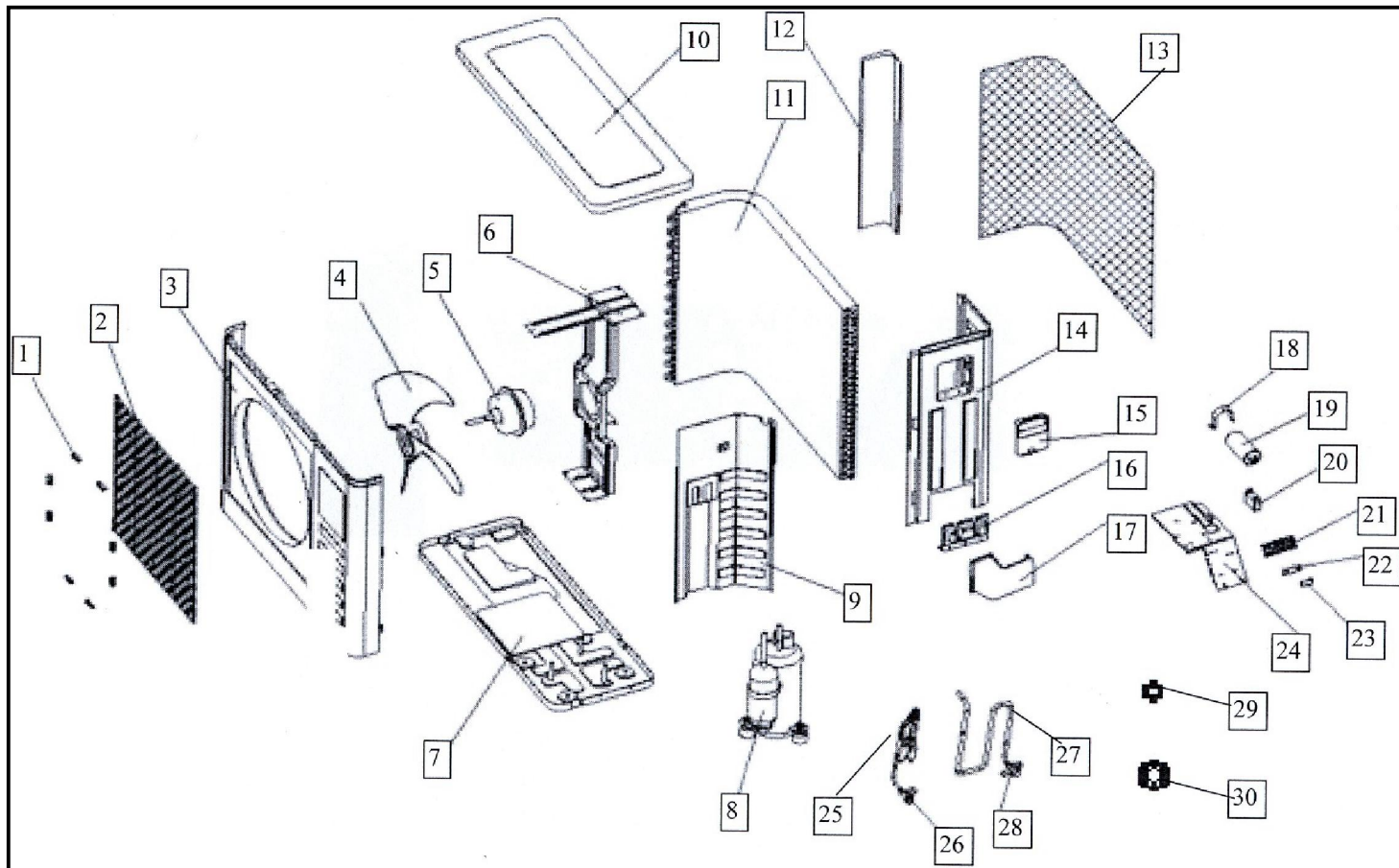
EXPLODED VIEW FOR INDOOR UNIT



PARTS LIST FOR INDOOR UNIT

SR	P/N	Description	Unity	Quantity		
1	02808001	FRONT PANEL	PC	1		
2	02808002	AIR FILTER	PC	2		
3	02808003	SCREW CAP	PC	3		
4	02808004	PANEL FRAME	PC	1		
5	02808005	AIR CLEANER	PC	1		
6	02808006	AIR CLEANER HOLDER	PC	1		
7	02808007	WINDOW FOR RECEIVER	PC	1		
8	02808008	INDICATOR FOR LED	PC	1		
9	02808009	HORIZONTAL LOUVER	PC	1		
10	02808010	VERTICAL LOUVER	PC	12		
11	02808011	AIR OUT FRAME	PC	1		
12	02808012	LOUVER HOLDER	PC	1		
13	02808013	LOUVER ROCKER	PC	1		
	02808014	ROCKER GASKET	PC	1		
14	02407501	LOUVER MOTOR	PC	1		
15	02808015	DRAIN HOSE	PC	1		
16	02506007	INDOOR TEMP SENSOR	PC	1		
17	02506001	EVAPORATOR TEMP SENSOR	PC	1		
18	02808016	LEFT HOLDER FOR EVAPORATOR	PC	1		
19	02608500	EVAPORATOR COIL	PC	1		
20	02808017	BEARING HOLDER	PC	1		
21	02808018	CROSS FLOW FAN ,ASSY	PC	1		
22	02808019	CHASSIS	PC	1		
23	02808020	BACK COVER FOR CHASSIS	PC	1		
24	06350001	INSTALLATION PLATE	PC	1		
25	02808021	CONNECTING PIPE CLAMP	PC	1		
26	02407502	FAN MOTOR	PC	1		
27	02808022	MOTOR COVER	PC	1		
28	02808023	E-PART BOX COVER	PC	1		
29	02808024	INDICATOR HOLDER	PC	1		
30	36340500	DISPLAY BOARD,ASS'Y	PC	1		
31	02506002	DISPLAY BOARD ENCLOSURE	PC	1		
32	02506003	MAIN CONTROL BOARD	PC	1		
33	02506004	TRANSFORMER	PC	1		
34	02808025	E-PART BOX	PC	1		
35	02808026	WIRE CLAMP	PC	1		
36	02506005	WIRE JOINT, 5P	PC	1		
37	02506006	REMOT CONTROLLER	PC	1		
38	02808027	HOLDER, REMOT CONTROLLER	PC	1		
39	02101501	COPPER MUT, TLM-A01	PC	1		
40	02101502	COPPER MUT, TLM-B02	PC	1		

# EXPLODED VIEW FOR OUTDOOR UNIT



PARTS LIST FOR OUTDOOR UNIT

SR	P/N	Description	Unity	Quantity		
1	02808037	CLAMP FOR FRONT NET	PC	6		
2	02808028	FRONT NET	PC	1		
3	02808029	FRONT CLAPBOARD	PC	1		
4	02808030	PROPELLER FAN	PC	1		
5	02407503	FAN MOTOR	PC	1		
6	02808031	HOLDER FOR FAN MOTOR	PC	1		
7	06350002	CHASSIS	PC	1		
8	01501101	COMPRESSOR PH170X1C-4DZDE2	PC	1		
9	06350003	SEPARATING BOARD	PC	1		
10	06350004	COVER	PC	1		
11	02608501	CONDENSER COIL	PC	1		
12	06350005	INSTALLATION BOARD, LEFT	PC	1		
13	02808032	REAR NET	PC	1		
14	02808033	BIG HANDLE	PC	1		
14	06350006	RIGHT CLAPBOARD	PC	1		
16	06350007	INSTALLATION PLATE FOR VALVES	PC	1		
17	06350008	WATER COLLECTOR	PC	1		
18	02808034	CAPACITOR CLAMP	PC	1		
19	02407504	COMPRESSOR CAPACITOR	PC	1		
20	02407505	FAN MOTOR CAPACITOR	PC	1		
21	02506008	WIRE JOINT	PC	1		
22	02101503	WASHER FOR WIRE JOINT	PC	1		
23	02808035	CLAMP FOR WIRING	PC	1		
24	02808036	INSTALLATION BOARD, FOR E-PARTS	PC	1		
25	36340501	HIGH PRESSURE VALVE ASS'Y	PC	1		
26	02207401	LIQUID PIPE VALVE	PC	1		
27	36340502	LOW-PRESSURE VALVE ASS'Y	PC	1		
28	02207402	LOW-PRESSURE VALVE	PC	1		
29	02101501	COPPER MUT, TLM-A01	PC	1		
30	02101502	COPPER MUT, TLM-B02	PC	1		