



53QH12B

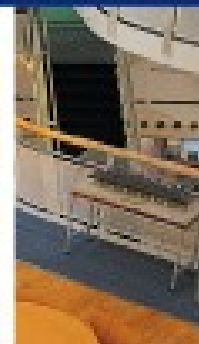
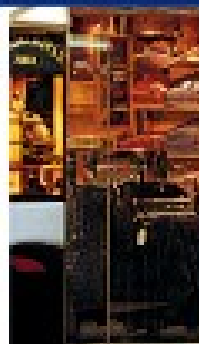
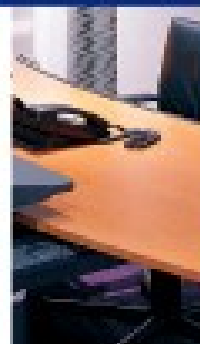


SERVICE & MAINTENANCE MANUAL



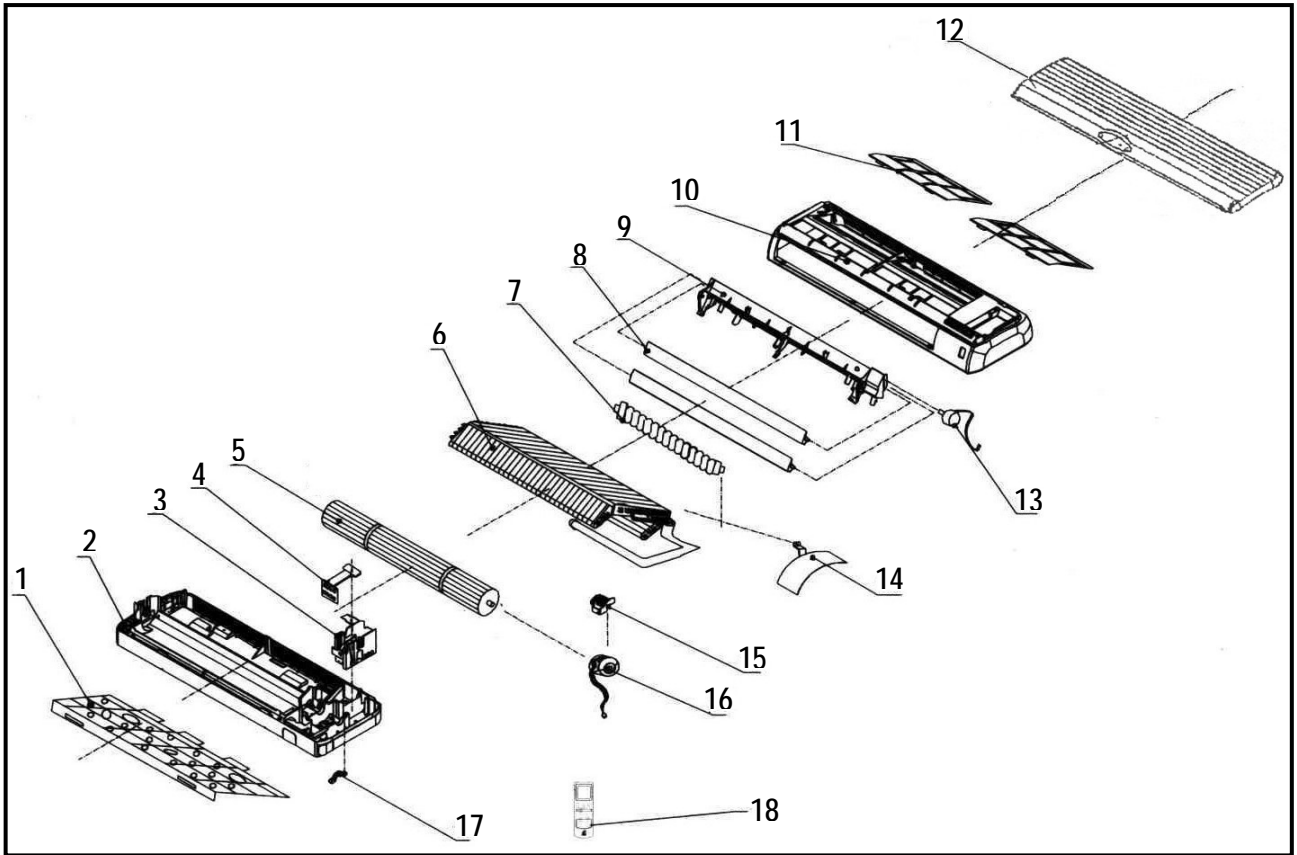
03502585

Rev. (1)
2006





EXPLODED VIEW OF INDOOR UNIT



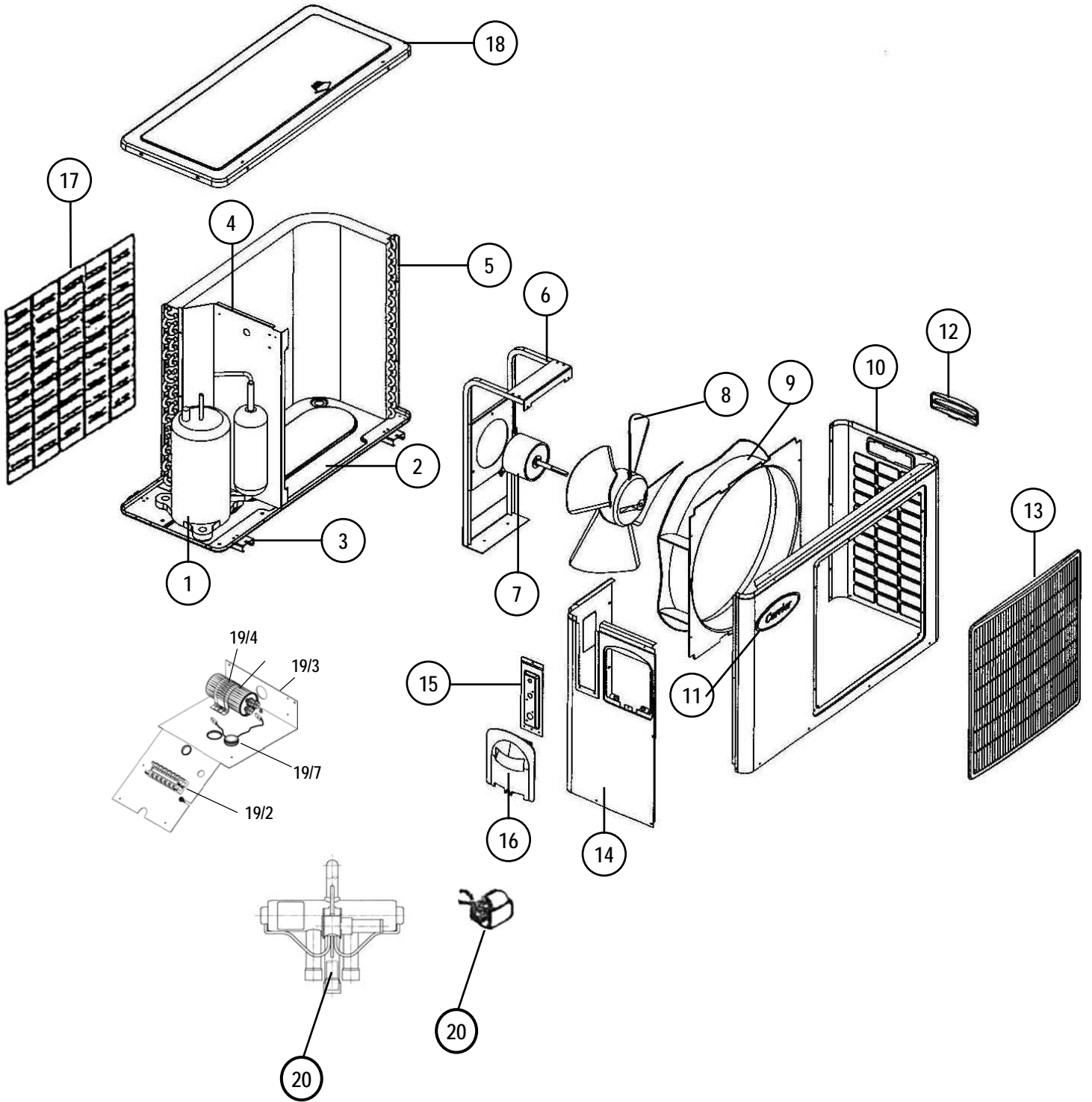


PART LIST OF INDOOR UNIT

NO.	PART NAME	PART NUMBER	QUANTITY / UNIT	
			42QH12B- H	42QH12B- C
1	Wall Mounting Frame	36318698	1	1
2	Slot Basis	02802419	1	1
3	Electric Box Assy			
3.1	Control PCB	02503230	1	1
3.2	Transformer	03503229	1	1
3.3	Indoor Coil Sensor	02503147	1	1
3.4	Return Air Sensor	02503148	1	1
3.5	Electrical Box	02802379	1	1
3.6	Terminal Board 1-2-3-4	02503179	1	1
3.7	Power Supply Board	02503178	1	1
4	Display Board	02503231	1	1
5	Cross Flow Fan	02802439	1	1
6	Evaporator Coil	02600149	1	1
7	Drain Tube	02802468	1	1
8	Flap	02802407	2	2
9	Deflector	02802408	1	1
10	Front Panel	02802417	1	1
11	Air Filter	02802383	2	2
12	Inlet Grille	02802418	1	1
13	Stepping Motor	02400011	1	1
14	Cover – Control PCB	02802378	1	1
15	Motor Fixing Board	02802456	1	1
16	Indoor Motor	02400012	1	1
17	Pipe Clip	02402467	1	1
18	Remote Controller	02503167	1	
		02503199		1
19	Battery size AAA-1.5 volts	02501125	2	2



EXPLODED VIEW OF OUTDOOR UNIT





PART LIST OF OUTDOOR UNIT

SR.	DESCRIPTION	PART NUMBER	QTY./UNIT	
			38QH12-H	38QH12-C
1	COMPRESSOR C/W GROMMETS & SPACERS			
	MITSUSHITA COMP . 2KS206DSBB04	01500235	1	1
2	COND. BASE	08107402	1	1
3	SUPPORTING LEG ASSY	36314043	4	4
4	COND. PARTITION	06307407	1	1
5	CONDENSER COIL SUBASSY.			
	COND. COIL 1 ROW - 33.46" x 22" - 12FPI	02600227	1	1
6	CONDENSER MOTOR SUPPORT SUBASSY.	36318880	1	1
7	MOTOR 1/10 HP-880 RPM	02400154	1	1
8	PROPELLER C/W SOCKET SCREW 8X8 MM	02600441	1	1
9	ORIFICE PROPELLER	02803112	1	1
10	COND. SHROUD	08107406	1	1
11	CARRIER LOGO	02900615	1	1
12	HANDLE	02803110	1	1
13	GUARD PROPELLER	02803113	1	1
14	COND. BACK PANEL	06307409	1	1
15	COUPLING PANEL	06307410	1	1
16	SERVICE DOOR	02803106	1	1
17	COIL GUARD	02803114	1	1
18	COND. COVER	08107400	1	1
	ELECTRICAL BOX SUBASSY	36313882	1	
		36314032		1
19.1	DUAL CAPACITOR 35 + 5 MFD/370 VAC	02400376	1	1
19.2	TERMINAL BLOCKS 4 POLES-30 AMPS	02501405	1	1
19.3	COND. ELECTRICAL BOX	06307405	1	1
19.4	CAPACITOR CLAMP	02804078	1	1
19.5	CABLE CLAMP	02802523	1	1
19.6	WIRE HARNESS SET	02500863	1	1
19.7	PTC STARTER MODEL SPP POW-R-PAK (OPTION)	02501579	1	1
20	REVERSING VALVE & ELECTRIC COIL	02200405	1	
21	TUBING	36314094	1	
		36314034		1