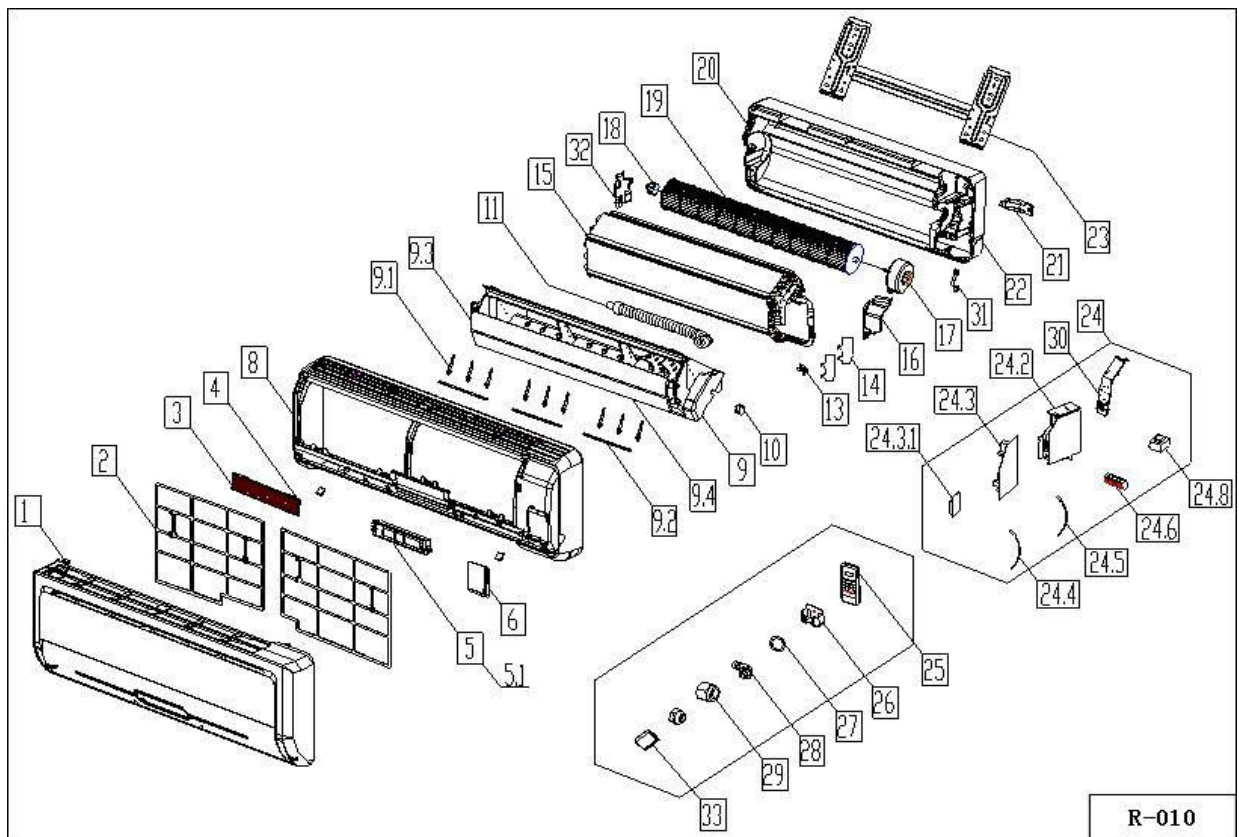




Midea RAC International Exploded View Parts for Model

Sale model
Factory model
ProdCode
Power Supply

MSR1-12HR-QB8
CAAR-KFR35G/Y-R12(B8)
220032502370
220-240V~ 50Hz 1Phase



R-010

No.	Part Name	Description	Qty
1	02803050	Front panel assy 201132590573	1
2	02803051	Air filter 201132590113	1
2	02803052	Air filter 201132590112	1
3	02803053	Air cleaner 201130100212	1
4	02803054	Air cleaner holder 201130100217	1
5	36319031	Display box assy KHR12 203332490096	1
5.1	02502767	Display board assy KHR12 201333090164	1
6	02803055	Window cover for repairing 201132590111	1
8	02803056	Panel frame assy KHR12 201132590672	1
9	36319033	Air out frame assy KHR12 201132590671	1
9.1	02803058	Vertical grille 201132590443	9
9.2	02803059	Louver holder 201132590444	3
9.3	02803060	Horizontal louver,up 201132590758	1
9.4	02803061	Horizontal louver,down 201132590759	1
10	02400022	Louver motor 202400200027	1
11	02803062	Drain hose KHR12 201101020038	1
13	02803064	Sensor clamp 201131390119	1
14	02803065	Breakwater 201133090095	1
14	02803066	Breakwater 201150290009	1
15	02600601	Evaporator Coil assy 201532590400	1
16	02803067	Motor cover 201132590114	1
17	02400023	Motor 202400400213	1
18	06313797	Bearing holder 202730190001	1
19	02803068	Cross flow fan 201100200020	1
20	02803069	Chassis 201132590675	1
21	02803070	Connecting pipe clamp 201132790085	1
23	06313798	Installation plate 201232390012	1
24	36319035	Elec control box,indoor KHR12 2033325A0898	1
24.2	02803071	E-Parts box 201132790083	1
24.3	02502791	Main control board KHR12 2013325A0251	1
24.3.1	02502778	Wires capacitor 202401200001	1
24.4	02502779	Indoor temp sensor 202301310079	1
24.5	02502785	Evaporator temp sensor 202301300080	1
24.6	02502786	Wire join 202301450128	1
24.8	02502787	Transformer 202300900095	1
25	02502788	Remote Controller KHR12 203355091269	1
26	02803072	Holder,Remote Controller 201155091050	1
27	02803073	Seal 202720090001	1

No.	Part Name	Description	Qty
28	02803074	Connector for watering 201101020011	1
29	02101514	Copper nut 201600320002	1
29	02101515	Copper nut 201600320000	1
30	02803075	E-Parts box's cover 201132790087	1
31	02803076	Fixing board for motor 201132790084	1
32	02803077	Fixing board for bear 201132790086	1
35	02803078	Chassis front cover 201132590674	1