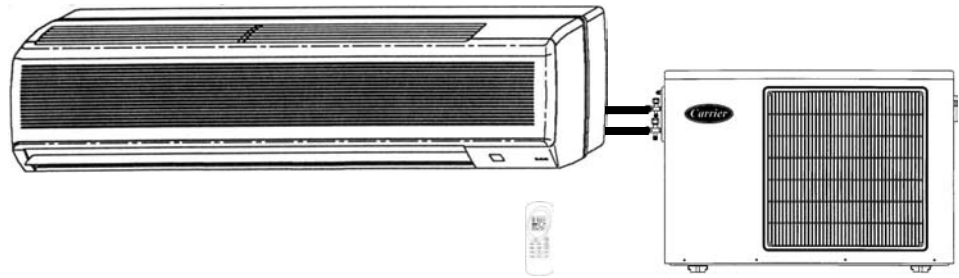


SERVICE PARTS MANUAL



HI-WALL SPLIT ROOM AIR CONDITIONERS

53QH-H SERIES HEAT PUMP

53QH-C SERIES COOL ONLY

HEAT PUMP

System	Indoor Unit	Outdoor Unit
53QH30-H	42QH30-H	38QH30-H
53QH36-H	42QH36-H	38QH36-H

COOL ONLY

System	Indoor Unit	Outdoor Unit
53QH30-C	42QH30-C	38QH30-C
53QH36-C	42QH36-C	38QH36-C





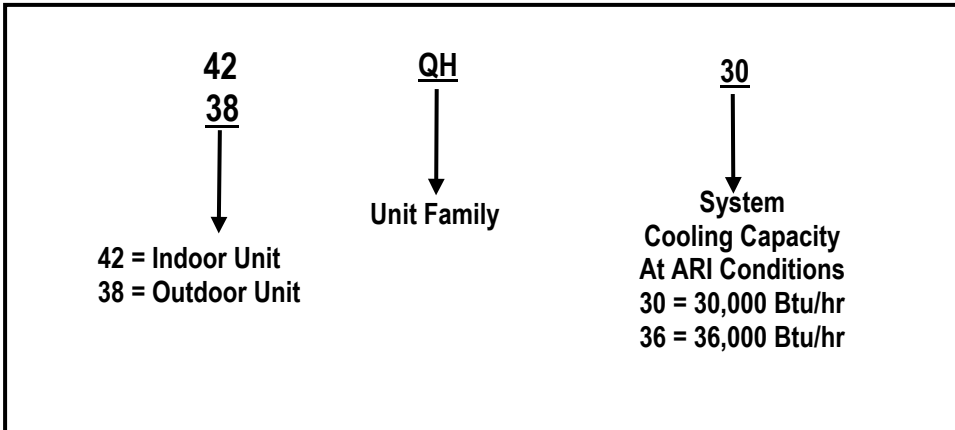
TABLE OF CONTENTS

	PAGE NO.
1. Unit Model Designation & Identification	1
2. Unit Models & Part Numbers	1
3. Exploded View of Indoor Unit	2
4. Part List of Indoor Unit	3
5. Exploded View of Outdoor Unit	4
6. Part List of Outdoor Unit	5

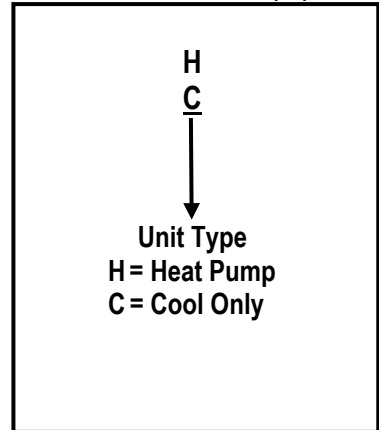


1. UNIT MODEL DESIGNATION & IDENTIFICATION

UNIT MODEL DESIGNATION



IDENTIFICATION (ID)



2. UNIT MODELS & PART NUMBERS

INDOOR UNIT

Heat Pump

V±10%/1PH/50HZ	Model	Compressor Type	P/N	ID
200-240	42QH30-H	Reciprocating	463-03192	H
200-240	42QH36-H	Reciprocating	463-03190	H

Cool Only

V±10%/1PH/50HZ	Model	Compressor Type	P/N	ID
200-240	42QH30-C	Reciprocating	463-03191	C
200-240	42QH36-C	Reciprocating	463-03193	C

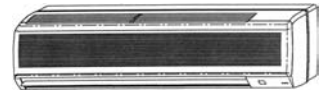
OUTDOOR UNIT

Heat Pump

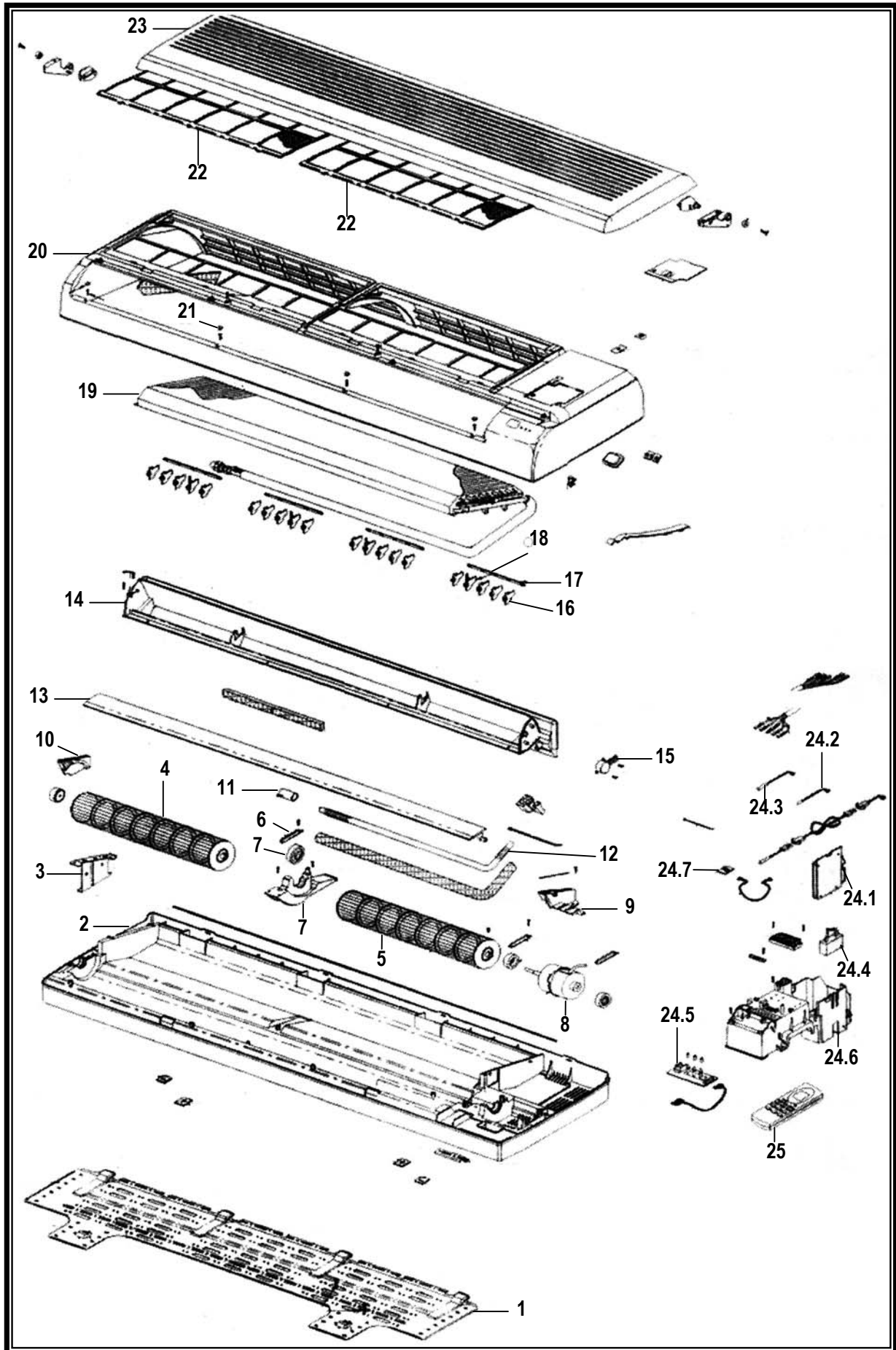
V±10%/1PH/50HZ	Model	Compressor Type	P/N	ID
200-240	38QH30-H	Reciprocating	463-02173	H
200-240	38QH36-H	Reciprocating	463-02177	H

Cool Only

V±10%/1PH/50HZ	Model	Compressor Type	P/N	ID
200-240	38QH30-C	Reciprocating	463-02179	C
200-240	38QH36-C	Reciprocating	463-02178	C

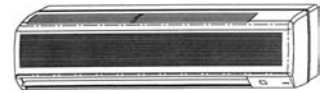


3. EXPLODED VIEW OF INDOOR UNIT



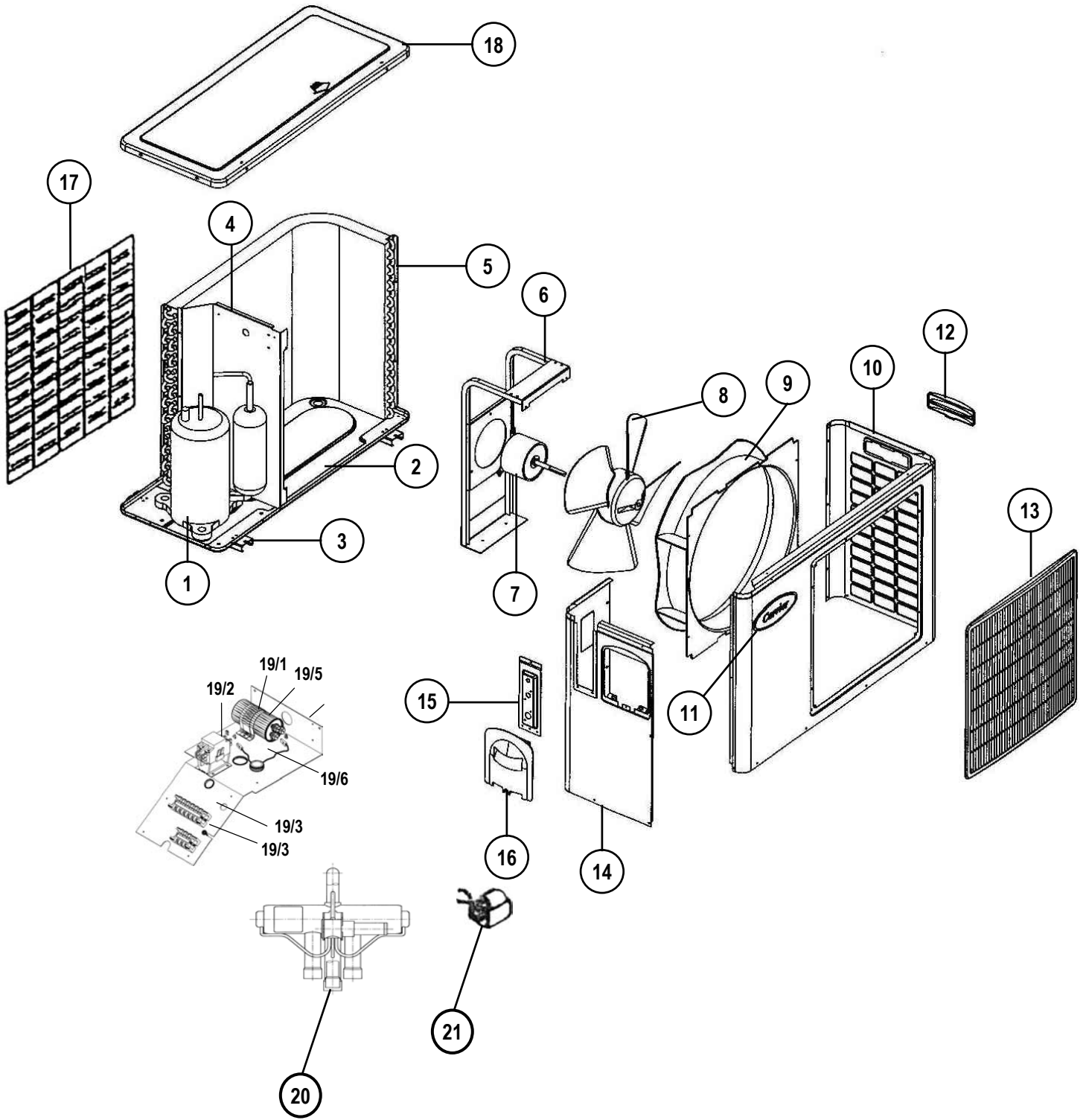
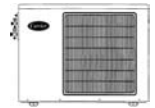


4. PART LIST OF INDOOR UNIT



NO.	PART NAME	PART NUMBER	QUANTITY / UNIT			
			42QH- H		42QH- C	
			30	36	30	36
1	Mounting Bracket (F600)	02802426	1	1	1	1
2	Base Pan (P600)	02802427	1	1	1	1
3	End Plate Support – L (F225)	02802425	1	1	1	1
4	Blower L (P612)	02802434	1	1	1	1
5	Blower R (P613)	02802435	1	1	1	1
6	Bracket Motor (F18)	02802422	3	3	3	3
7	Center Bearing W/Bracket (F29)	02802423	1	1	1	1
8	Motor (E606)	2400017	1	1	1	1
9	Evap. Support-R (P611)	2802433	1	1	1	1
10	Evap. Support-L (P610)	2802432	1	1	1	1
11	Drain Hose Connector (P71)	2802399	1	1	1	1
12	Drain Hose (P70)	2802398	1	1	1	1
13	Horizontal Louver (P627)	02802424	1	1	1	1
14	Drain Pan (P604)	02802428	1	1	1	1
15	Step Motor MP35 (E57)	02400015	1	1	1	1
16	Deflector (P606)	02802430	16	16	16	16
17	Bar Gang (P6070)	02802431	4	4	4	4
18	Deflector with Arm (P605)	02802429	4	4	4	4
19	Evap. Coil-3R x 5C x 3/8”(D36-1)	02600159	1	1	1	1
20	Frame Grille (P624)	02802436	1	1	1	1
21	Screw Cover (P185)	02802400	4	4	4	4
22	Air Filter (P628-1)	02802401	2	2	2	2
23	Decorative Panel (P626)	02802437	1	1	1	1
24	Control Box Assy					
24.1	Main PCB Cool/Heat (ET205)	02503154	1	1		
	Main PCB Cool Only (ET107)	02503186			1	1
24.2	Return Air Sensor (ET103)	02503149	1	1	1	1
24.3	Indoor Coil Sensor (ET106)	02503150	1	1	1	1
24.4	Capacitor 2.5 MF/ 450VAC (E95)	02400016	1	1	1	1
24.5	Lamp PCB/IR Receiver (ET133)	02503151	1	1	1	1
24.6	Control Box (P174)	02503156	1	1	1	1
24.7	Auxiliary Switch (ET111)	02503163	1	1	1	1
24.8	Wire Harness – Auxiliary Switch (ET113)	02503162	1	1	1	1
24.9	Wire Harness – Lamp PCB (ET112)	02503164	1	1	1	1
24.10	Extension Wire 8H (ET202)	02503153	1	1		
24.11	Outdoor Sensor Wire PCB Side (ET203)	02503152	1	1		
24.12	Electric Wire Red 15”-2.5mm ² (E-Wir-022)	02503157	1	1		
24.13	Electric Wire White 15”-2.5mm ² (E-Wir-023)	02503158	1	1		
24.14	Electric Wire Yellow 15”-2.5mm ² (E-Wir-024)	02503159	1	1		
24.15	Electric Wire Black 15”-2.5mm ² (E-Wir-025)	02503160	1	1		
24.16	Electric Wire Blue 15”-2.5mm ² (E-Wir-026)	02503161	1	1		
25	Remote Control Cool / Heat (ET206)	02503155	1	1		
	Remote Control Cool Only (ET108)	02503178			1	1

5. EXPLODED VIEW OF OUTDOOR UNIT





6. PART LIST OF OUTDOOR UNIT

SR.	DESCRIPTION PART	PART NUMBER	QTY./UNIT				
			38QH-H		38QH-C		
			30	36	30	36	
1	COMPRESSOR						
	COMPLETE WITH GROMMETS & SPACERS						
	1.1 Copeland Comp. CR37KQ-PFT	01500256	1		1		
	1.2 Copeland Comp. CR47KQ-PFZ	01500172		1		1	
2	COND. BASE	06307404	1	1	1	1	
3	SUPPORTING FOOT ASSY	36314043	2	2	2	2	
4	COND. PARTITION	06307407	1		1		
		06307436		1		1	
5	CONDENSER COIL SUBASSY.						
	5.1 Cond. Coil 2 Row – 33.15" x 22" - 14FPI	02600229	1		1		
	5.2 Cond. Coil 2 Row – 33.15" x 28" - 15FPI	02600231		1		1	
6	CONDENSER MOTOR SUPPORT SUBASSY.	36318330	1	1	1	1	
7	CONDENSER MOTOR						
	7.1 Motor 1/10 HP-860 RPM	02400154	1		1		
	7.2 Motor 1/5 HP-860 RPM	02400179		1		1	
8	PROPELLER – 4 BLADES – 444 MM DIAM. C/W Socket Set Screw 8 x 8 mm	02600441	1	1	1	1	
9	ORIFICE PROPELLER	02803112	1	1	1	1	
10	COND. SHROUD	06307406	1		1		
		06307435		1		1	
21	CARRIER LOGO	02900615	1	1	1	1	
12	HANDLE	02803110	1	1	1	1	
13	GUARD PROPELLER	02803113	1	1	1	1	
14	COND. BACK PANEL	06307409	1		1		
		06307434		1		1	
15	COUPLING PANEL	06307410	1	1	1	1	
16	SERVICE DOOR	02803106	1	1	1	1	
17	COIL GUARD	02803114	1		1		
		02803115		1		1	
18	COND. COVER	06307400	1	1	1	1	
19	ELECTRICAL BOX SUBASSY	36314125	1				
		36314097		1			
		36314223			1		
		36314222				1	
19.1	DUAL CAPACITOR	19.1.1 Dual Capacitor 50 + 5 MFD/440 VAC	02400379	1		1	
		19.1.2 Dual Capacitor 60 + 5 MFD/440 VAC	02400377		1		1
19.2	CONTACTOR FOR COMPRESSOR	19.2.1 Contactor 2 poles – 25 Amps	02400580	1		1	
		19.2.2 Contactor 2 poles – 30 Amps	02400572		1		1
19.3	TERMINAL BLOCKS	19.3.1 Terminal Block 6 Poles-30 Amps	02501433	1	1		
		19.3.2 Terminal Block 4 Poles-30 Amps	02501405			1	1
		19.3.3 Terminal Block 3 Poles-30 Amps	02501315	1	1	1	1
19.4	COND. ELECTRICAL BOX	06307405	1	1	1	1	
19.5	CAPACITOR CLAMP	06301283	1	1	1	1	
19.6	STARTER FOR COMPRESSOR	19.6.1 PTC Starter Model SPP POW-R-PAK	02501579	1		1	
		19.6.2 PTC Starter Model SPP5	02501578		1		1
19.7	Low Pressure Control	02400638	1	1	1	1	
19.8	Pilot Light for Low Pressure Control	02502315	1	1	1	1	
20	REVERSING VALVE	02200405	1				
		02200404		1			
21	COIL – REVERSING VALVE	02502507	1	1			
22	ACCUMULATOR	02301012	1	1			
23	SENSOR – OUTDOOR COIL	02503015	1	1			
24	TUBING	36314124	1				
		36314096		1			
		36313934			1		
		36313940				1	