



53QH30B
53QH36B

AIR *4* LIFE



SERVICE & MAINTENANCE MANUAL

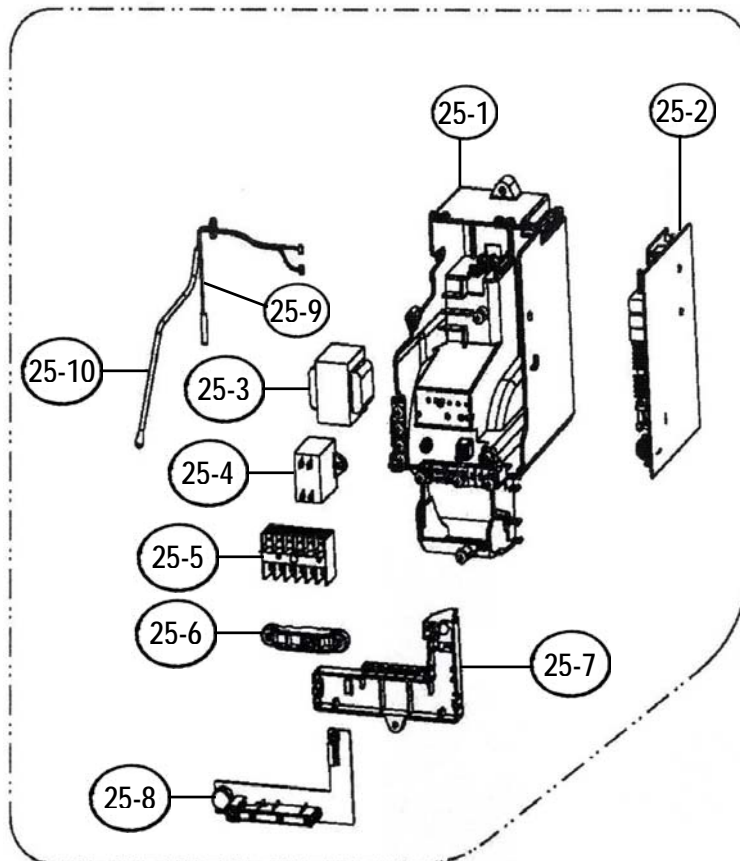
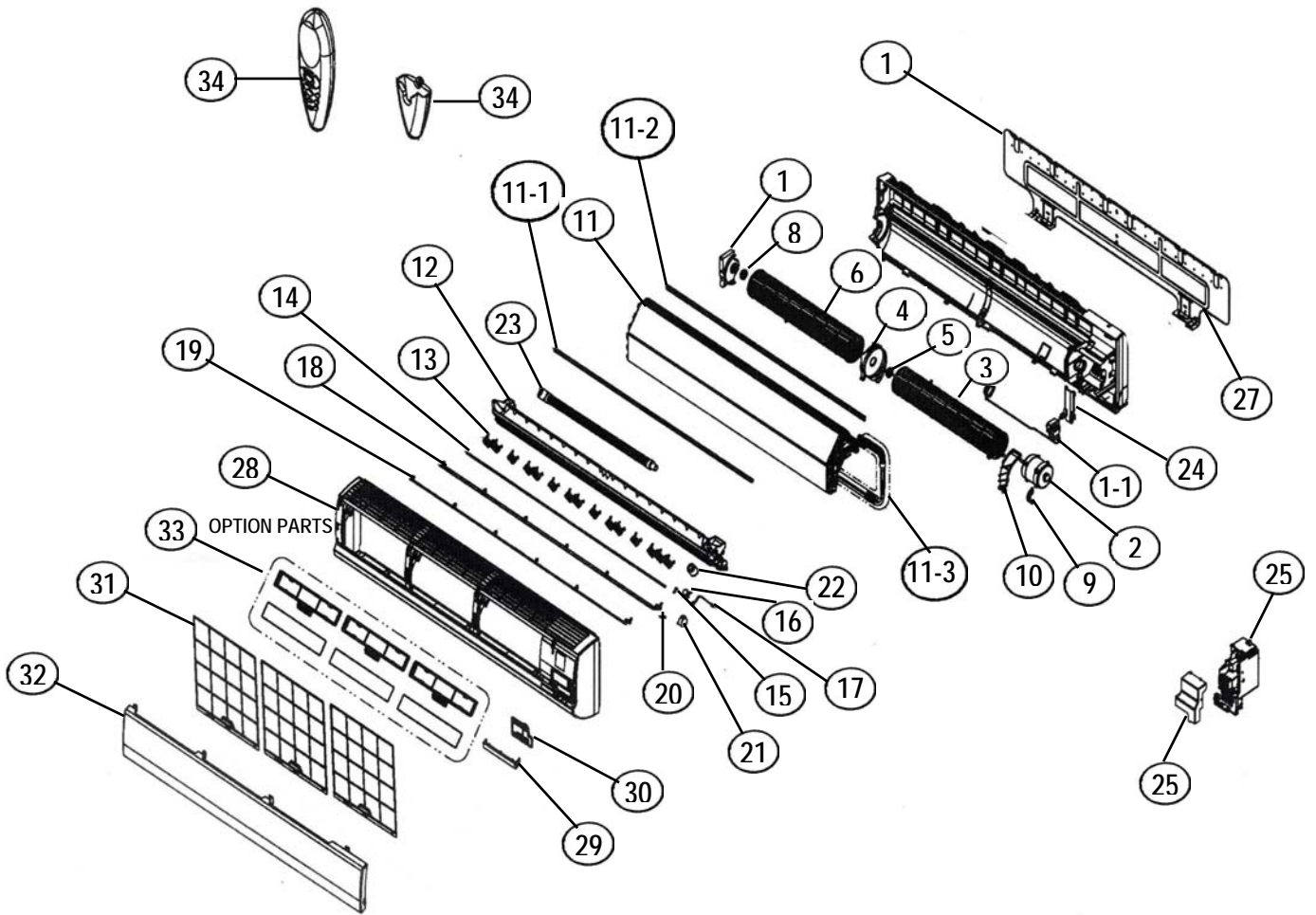


03502586

Rev. (0) 2006



EXPLODED VIEW OF INDOOR UNIT





PART LIST OF INDOOR UNIT

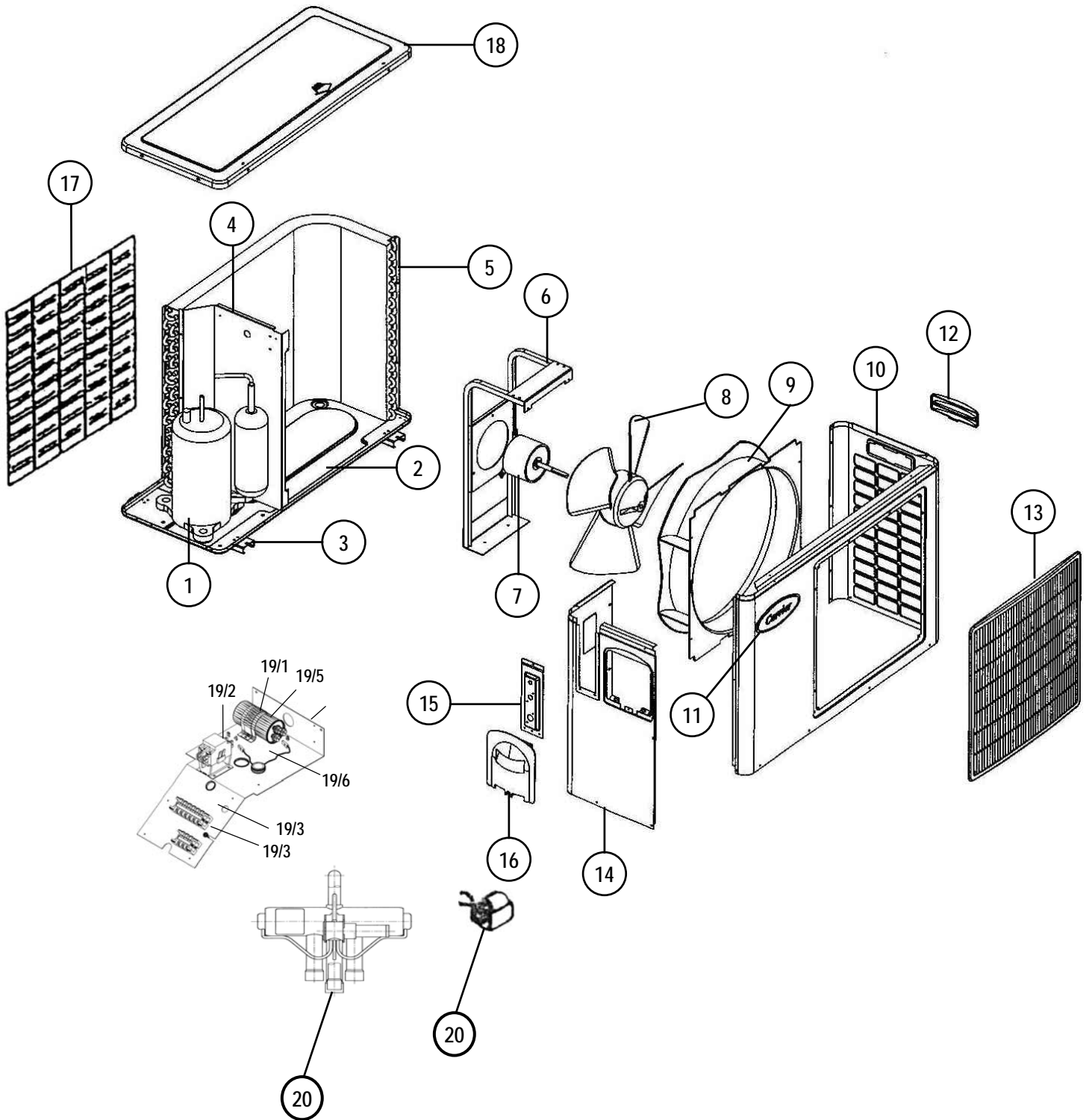
NO.	PART NAME	PART NUMBER	QUANTITY / UNIT	
			42XP100- H7	42XP100- C7
1	BODY ASSY (42QHNJ10020)	02802800	1	1
1-1	IONISER - 42XP100 OPTION	02501062	1	1
2	MOTOR FAN (PM00IAG254B)	02400195	1	1
3	BLOWER ASSY .R (42QHNA20120)	02802801	1	1
4	BRKT BEARING-M (42QHNA22210)	02802802	1	1
5	CUSHION AS BR/L (53KN3A30150)	02802803	1	1
6	BLOWER ASSY.L (42QHNA20130)	02802804	1	1
7	BRACKET BEARING (42QHNA2220A)	02802805	1	1
8	CUSHION AS BR/L (53KP5A50150)	02802806	1	1
9	BRACKET R.MOTOR (42QHNA3224A)	02802807	1	1
10	BRACKET L. MOTOR (42QHNA22230)	02802808	1	1
11	INDOOR COILS AS (42QHND2019C)	02600148	1	-
	INDOOR COIL AS (42QHNA2019C)	02600149	-	1
11-1	GUARD EVA MID (42QHNA39010)	02802809	1	1
11-2	GUARD EVA EVAP TOP (42QHNA39020)	02802810	1	1
11-3	INSU. TUBE EVAP (42QHNA36310)	02802811	1	1
12	INSU .AS, DRN PAN (42QHNB1009A)	02802812	1	1
13	BLADE VERTICAL (42QHNA32160)	02802813	15	15
14	BAR BLADE (42QHNA32170)	02802814	4	4
15	BLADE LINK (42QHNA32190)	02802815	1	1
16	VERTICAL LOUVERS STEP MOTOR (PM007DV0060)	02400196	1	1
17	WIRE AS 1,S/MOTOR (42QHNA3501A)	02503262	1	1
18	FLAP 1 (42QHNA22140)	02802816	1	1
19	FLAP 2 (42QHNA2215A)	02802817	1	1
20	LINK FLAP (42QHNA 32180)	02802818	1	1
21	HORIZONTAL LOUVERS STEP MOTOR (PM007ET00690)	02400198	1	1
22	INSU. AS, DRN GAP (42QHNA30240)	02802819	1	1
23	HOSE ASSY, DRAIN (42QHNA30230)	02802820	1	1
24	TUBE, CLAMP (42QHNA32220)	02802821	1	1
25	BOX AS, CONTROL (42QHNJ58000)	02503250	1	1
25-1	CONTROL BOX (42QHNA1205A)	02503251	1	1
25-2	CONTROL BOARD AS (42QHNF50020B)	02503252	1	-
	CONTROL BOARD AS (42QHNF50020A)	02503260	-	1
25-3	TRANSFORMER (42QHNF50030)	02500200	1	1
25-4	CAPACITOR MOTOR 50HZ, 2MFD (42QHNF50040)	02400300	1	1
25-5	TERMINAL. BLOCK (42QHNF50060)	02503253	1	1
25-6	WIRE CLAMP (42QHNF50070)	02503254	1	1
25-7	DISPLAY BRKT (42QHNF50080)	02503255	1	1
25-8	DISPLAY BOARD ASSY (42QHNF50090)	02503256	1	1



PART LIST OF INDOOR UNIT (cont.)

NO.	PART NAME	PART NUMBER	QUANTITY / UNIT	
			42XP100- H7	42XP100- C7
25-9	INDOOR COIL SENSOR ASSY (42QHNF50100)	02503257	1	1
25-10	RETURN AIR SENSOR ASSY (42QHNF50110)	02503258	1	1
26	BOX 2, CONTROL (42QHNA2206A)	02503259	1	1
27	BRACKET, MTG (42KHNA1101A)	02802822	1	1
28	GRILLE. AS ,FRAME (42QH NJ50040)	02802823	1	1
29	PRINT, DISPLAY(42KHNB37100)	02802824	1	1
30	COVER, T/B(42QHNA2213A)	02802825	1	1
31	FILTER ASSY(42QHNA20080)	02802826	3	3
32	GRILLE AS, INSERT (42KHNA30050)	02802827	1	1
33	OPT FILTER ASSY	02802828	1	1
34	REMOCON, ASSY (PRJ01YA0080)	02503260	1	1
35	CASE REMO GMC (42QV5B52160A)	02503261	1	1

EXPLODED VIEW OF OUTDOOR UNIT



PART LIST OF OUTDOOR UNIT

SR.	DESCRIPTION	PART NUMBER	QTY./UNIT			
			38QHB-H		38QHB-C	
			30	36	30	36
1	COMPRESSOR COMPLETE WITH GROMMETS & SPACERS					
1.1	Rotary Comp. NHT52VBET	01500249	1		1	
1.1	Copeland Comp. CR37KQ-PFT	01500256	1		1	
1.2	Copeland Comp. CR47KQ-PFZ	01500172		1		1
2	COND. BASE	08107402	1	1	1	1
3	SUPPORTING LEG ASSY	36314043	4	4	4	4
4	COND. PARTITION	06307407	1		1	
		06307436		1		1
5	CONDENSER COIL SUBASSY.					
5.1	Cond. Coil 2 Row – 33.15" x 22" - 14FPI	02600234	1		1	
5.2	Cond. Coil 2 Row – 33.15" x 28" - 15FPI	02600231		1		1
6	CONDENSER MOTOR SUPPORT SUBASSY.	36313880	1	1	1	1
7	CONDENSER MOTOR					
7.1	Motor 1/10 HP-880 RPM	02400154	1		1	
7.2	Motor 1/5 HP-860 RPM	02400179		1		1
8	PROPELLER CW SOCKET SET SCREW 8 X 8 MM	02600441	1	1	1	1
9	ORIFICE PROPELLER	02803112	1	1	1	1
10	COND. SHROUD	08107406	1		1	
		06307435		1		1
21	CARRIER LOGO	02900615	1	1	1	1
12	HANDLE	02803110	1	1	1	1
13	GUARD PROPELLER	02803113	1	1	1	1
14	COND. BACK PANEL	06307409	1		1	
		06307434		1		1
15	COUPLING PANEL	06307410	1	1	1	1
16	SERVICE DOOR	02803106	1	1	1	1
17	COIL GUARD	02803114	1		1	
		02803115		1		1
18	COND. COVER	08107400	1	1	1	1
19	ELECTRICAL BOX SUBASSY	36314125	1			
		36314097		1		
		36314223			1	
		36314222				1
19.1	DUAL CAPACITOR					
19.1.1	Dual Capacitor 50 + 5 MFD/440 VAC	02400379	1		1	
19.1.2	Dual Capacitor 60 + 5 MFD/440 VAC	02400377		1		1
19.2	CONTACTOR FOR COMPRESSOR					
19.2.1	Contactactor 2 poles – 25 Amps	02400580	1		1	
19.2.2	Contactactor 2 poles – 30 Amps	02400572		1		1
19.3	TERMINAL BLOCKS					
19.3.1	Terminal Block 6 Poles-30 Amps	02501433	1	1		
19.3.2	Terminal Block 4 Poles-30 Amps	02501405			1	1
19.3.3	Terminal Block 3 Poles-30 Amps	02501315	1	1	1	1
19.4	COND. ELECTRICAL BOX	06307405	1	1	1	1
19.5	CAPACITOR CLAMP	02804078	1	1	1	1
19.6	SUPPORT CABLE	02802523	1	1	1	1
19.7	WIRE HARNESS SET	02500879	1		1	
		02500872		1		1
19.8	PTC STARTER FOR COMPRESSOR					
19.8.1	PTC Starter Model SPP POW-R-PAK	02501579	1		1	
19.8.2	PTC Starter Model SPP5	02501578		1		1
19.9	LOW PRESSURE CONTROL	02400638	1	1	1	1
19.10	PILOT LIGHT FOR LOW PRESSURE CONTROL	02502315	1	1	1	1
20	REVERSING VALVE & ELECTRIC COIL	02200404	1			
		02200406		1		
21	ACCUMULATOR	02301012	1			
		02301013		1		
22	SENSOR – OUTDOOR COIL	02503015	1	1		
23	TUBING	36314124	1			
		36314096		1		
		36313934			1	
		36314193				1