



turn to the experts

Tropical



220-240V ~, 50Hz

# xpression

## Hi Wall Split Air Conditioners

### 53QPCT 18C-24C Cool Only

### 53QPCT 18H-24H Heat Pump



## SPARE PARTS MANUAL

Carrier is committed to continuously improving its products according to national and international standards to ensure the highest quality and reliability standards, and to meet market regulations and requirements.

All specifications subject to change without prior notice according to Carrier policy of continuous development.



03502900

Rev. (0) - 2012



## TABLE OF CONTENTS

	PAGE NO.
1. Unit Model Designation & Identification	1
2. Unit Models & Part Numbers	1
3. Exploded View of Indoor Units 18K – 24K	2
4. Part List of Indoor Units 18K – 24K	3
5. Exploded View For Outdoor Unit 18K	4
6. Part List For Outdoor Unit 18K	5 - 7
7. Exploded View For Outdoor Unit 24K	8
8. Part List For Outdoor Unit 24K	9 - 11
9. Dip Switches Configuration	12

## 1. UNIT MODEL DESIGNATION & IDENTIFICATION

- 53 = Split System
- 42 = Indoor Unit
- 38 = Outdoor Unit
- QPC = xpression Series
- T = High Ambient
- 18 = System Size
- C = Cool Only
- H = Heat Pump
- 7 = Nominal Power Supply 220-240V ~ 50Hz 1Ph
- 0 = Wireless Remote Control
- 8 = Miraco – Carrier Mfg.
- F = Ionizer

## 2. UNIT MODELS & PART NUMBERS

### SPLIT SYSTEMS FOR DOMESTIC MARKET

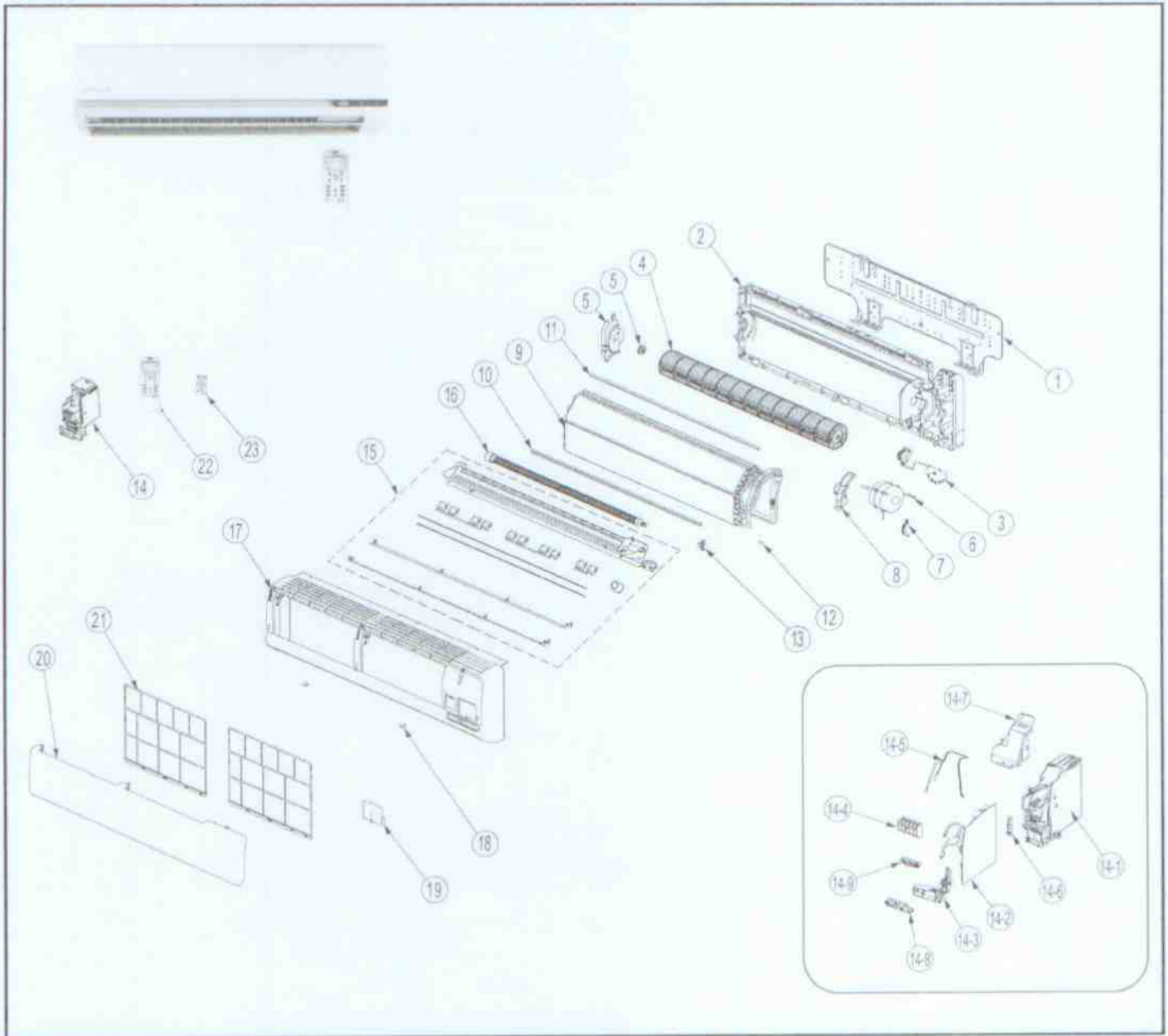
HEAT PUMP	Indoor Unit		Outdoor Unit			
	Model	P/N	Model	P/N	Compressor	
					Type	Supplier
	42QCPT18H-708F	46303906	38QCPT18H-708	46302659	Rotary	GMCC/Toshiba
	42QCPT24H-708F	46303908	38QCPT24H-708	46302711	Rotary	GMCC/Toshiba

### SPLIT SYSTEMS EXPORT MARKETS

COOL ONLY	Indoor Unit		Outdoor Unit			
	Model	P/N	Model	P/N	Compressor	
					Type	Supplier
	42QCPT18C-708F	46303910	38QCPT18C-708	46302661	Rotary	Hitachi
	42QCPT24C-708F	46303919	38QCPT24C-708	46303237	Rotary	Panasonic

HEAT PUMP	Indoor Unit		Outdoor Unit			
	Model	P/N	Model	P/N	Compressor	
					Type	Supplier
	42QCPT18H-708F	46303907	38QCPT18H-708	46302660	Rotary	GMCC/Toshiba
	42QCPT24H-708F	46303909	38QCPT24H-708	46303233	Rotary	Panasonic

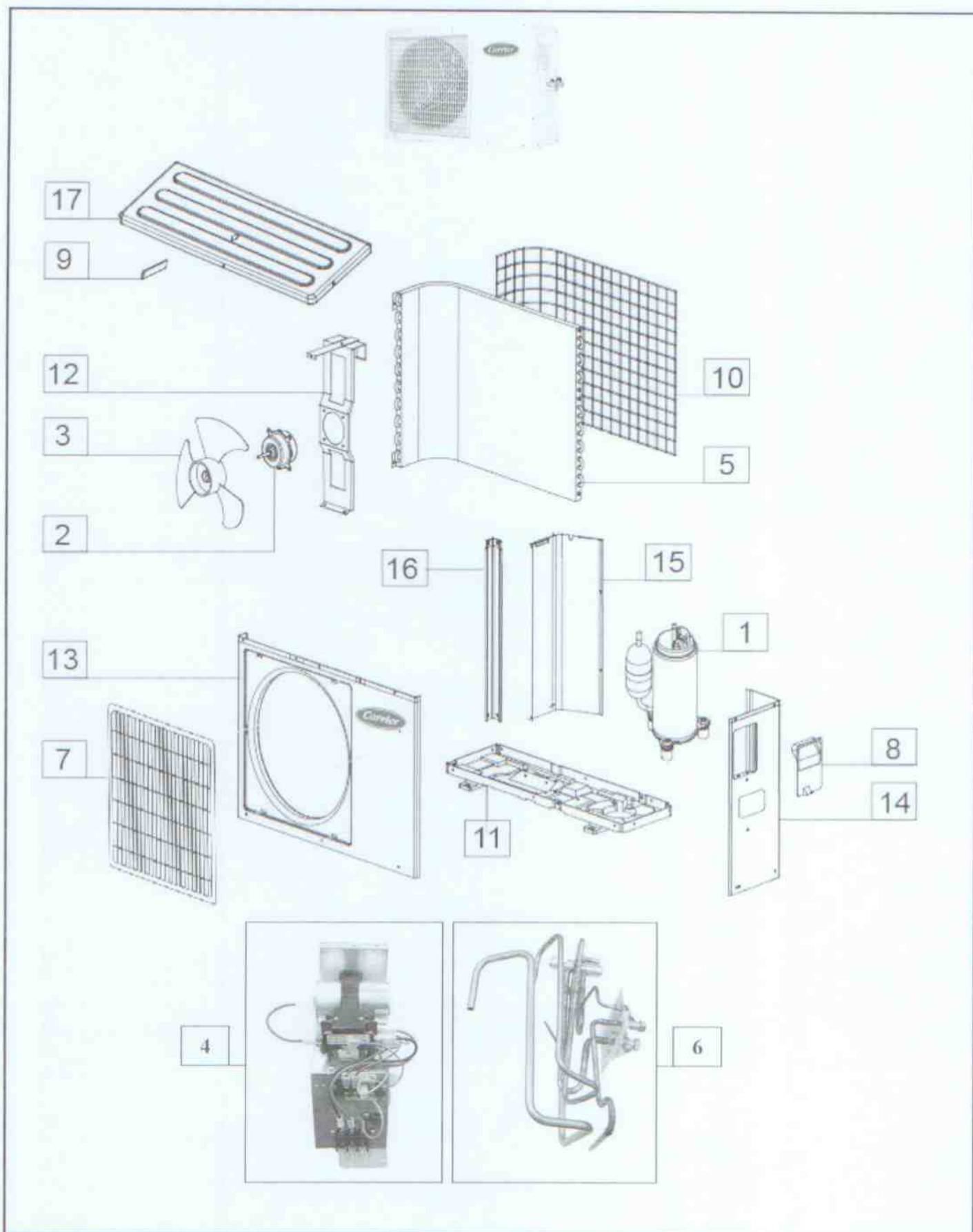
### 3. EXPLODED VIEW OF INDOOR UNITS 18K – 24K



#### 4. PART LIST OF INDOOR UNITS 18K – 24K

NO.	PART NAME	PART NUMBER	QUANTITY / UNIT			
			42QPCT C		42QPCT H	
			18	24	18	24
1	Mounting Bracket	06313785	1	1	1	1
2	Body Assy	36314782	1	1	1	1
3	Ionizer	02503276	1	1	1	1
4	Blower	02600409	1	1	1	1
5	Bracket, Bearing & Cushion Assy	02802471	1	1	1	1
6	Indoor Motor 1/25HP YDK38-4H	02400189	1	1	1	1
7	Motor Bracket R	02802680	1	1	1	1
8	Motor Bracket L	02802681	1	1	1	1
9	Indoor Coil & Headers Assy	02600197	1	1	1	1
10	Coil Guard	02802335	1	1	1	1
11	Coil Guard Top	02802685	1	1	1	1
12	Sensor Spring	02100862	1	1	1	1
13	Sensor Holder	02802901	1	1	1	1
14	Control Box Assy (42QHJD5800B)	02503107	1	1	1	1
14-1	Control Box	02503274	1	1	1	1
14-2	Control PCB Assy	02500367	1	1	1	1
14-3	Led Bracket	02500366	1	1	1	1
14-4	Terminal Block	02500364	1	1	1	1
14-5	Indoor Coil & Room Air Sensor Assy	02500368	1	1	1	1
14-6	Ground Plate	02500369	1	1	1	1
14-7	Metal Cover Assy	02503104	1	1	1	1
14-8	Leds & Receiver PCB	02500365	1	1	1	1
14-9	Wire Clamp	02500370	1	1	1	1
15	Drain Pan Assy C/W Step Motor	36314704	1	1	1	1
16	Drain Hose Assy	02802473	1	1	1	1
17	Grille Frame Assy	36314783	1	1	1	1
18	Cap Screw Assy	36314902	2	2	2	2
19	Cover - Terminal Block	02802684	1	1	1	1
20	Insert Grille Assy	02802682	1	1	1	1
21	Air Filter	02802512	2	2	2	2
22	Remote Control	02503273	1	1	1	1
23	Battery Size AAA 1.5 Volt - Alkaline	02501125	2	2	2	2

# 5. EXPLODED VIEW OF OUTDOOR UNIT 18K

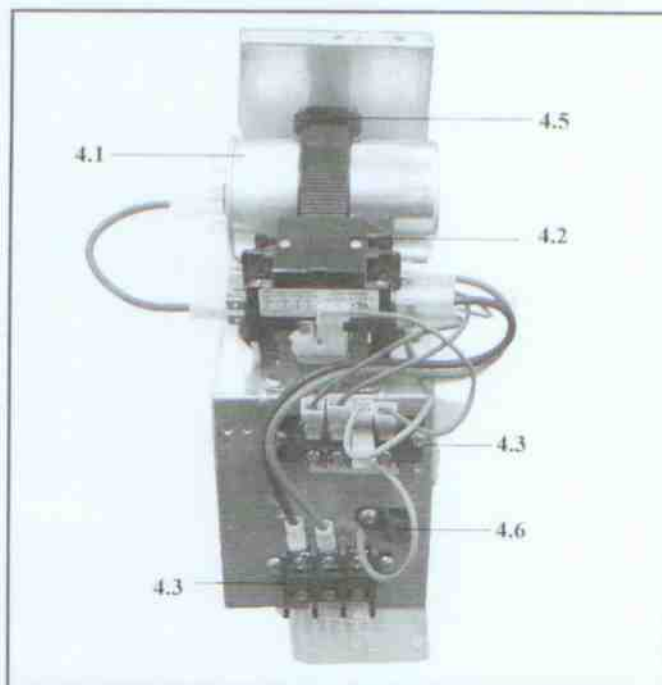


## 6. PART LIST OF OUTDOOR UNIT 18K

No.	Part Name	Part Number	Quantity	
			38QPCT18C	38QPCT18H
1	Compressor			
1.1	Hitachi Rotary Compressor SH336MV-C8LU	01500257	1	
1.2	Toshiba Rotary Compressor PH340G2C-4KTS1	01500935		1
2	Motor 110W-890RPM YDK48-6H(A)	01500257	1	1
3	Propeller Fan	02400236	1	1
4	Electrical Box Assy	02802340		
5	Outdoor Coil and Headers Assy	02600321	1	1
6	Tubing Assy	36319660	1	-
		36319662	-	1
7	Front Net - Plastic	02803352	1	1
8	Big Handle ( 201137590004 )	02801030	1	1
9	Small Handle ( 201150290006 )	02801029	1	1
10	Coil Guard	02803159	1	1
11	Base Pan Assy	36311667	1	1
12	Motor Bracket	06308864	1	1
13	Front Panel	36311555	1	1
14	Side Panel	36311558	1	1
15	Partition	06308859	1	1
16	Corner Support	36311557	1	1
17	Top Cover	36311556	1	1



Details of Electrical Box Assy

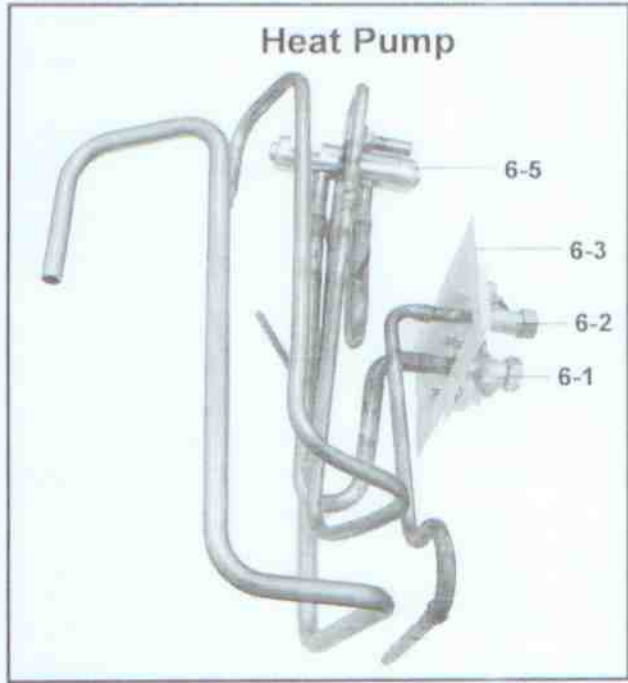
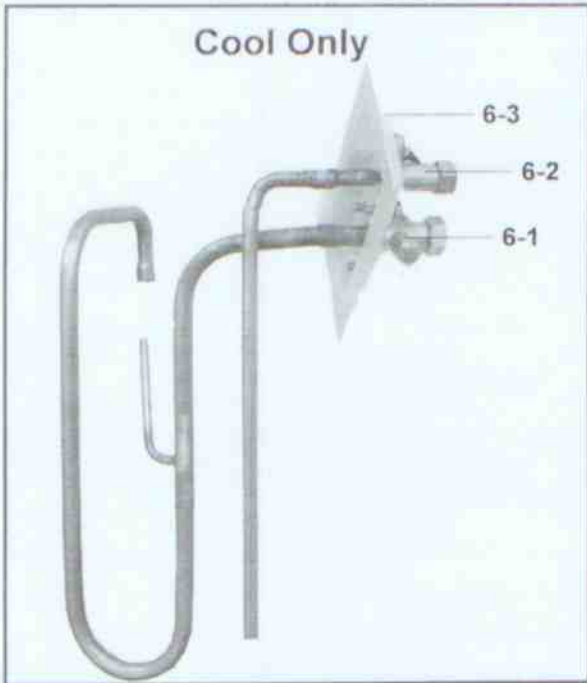


No.	Part Name	Part Number	Quantity	
			38QPCT18C	38QPCT18H
4	Electrical Box Assy			
4.1	Dual Capacitor 50 + 3 MFD / 450 VAC	02400361	1	
4.1	Dual Capacitor 60 + 3 MFD / 450 VAC	02400362		1
4.2	Contactora 2 Poles – 25 Amps	02400361	1	1
4.3	Terminal Block 4 Poles – 30Amps	02501405	1	
4.3	Terminal Block 3 Poles – 30Amps	02501015	1	1
4.3	Terminal Block 6 Poles – 30Amps	02501433		1
4.4	Electrical Wires Set	02501308	1	
4.5	Plastic Clamp - Capacitor	02500863	1	
4.6	Cable clamp	02804078	1	
4.7	Electrical Panel	02802523	1	



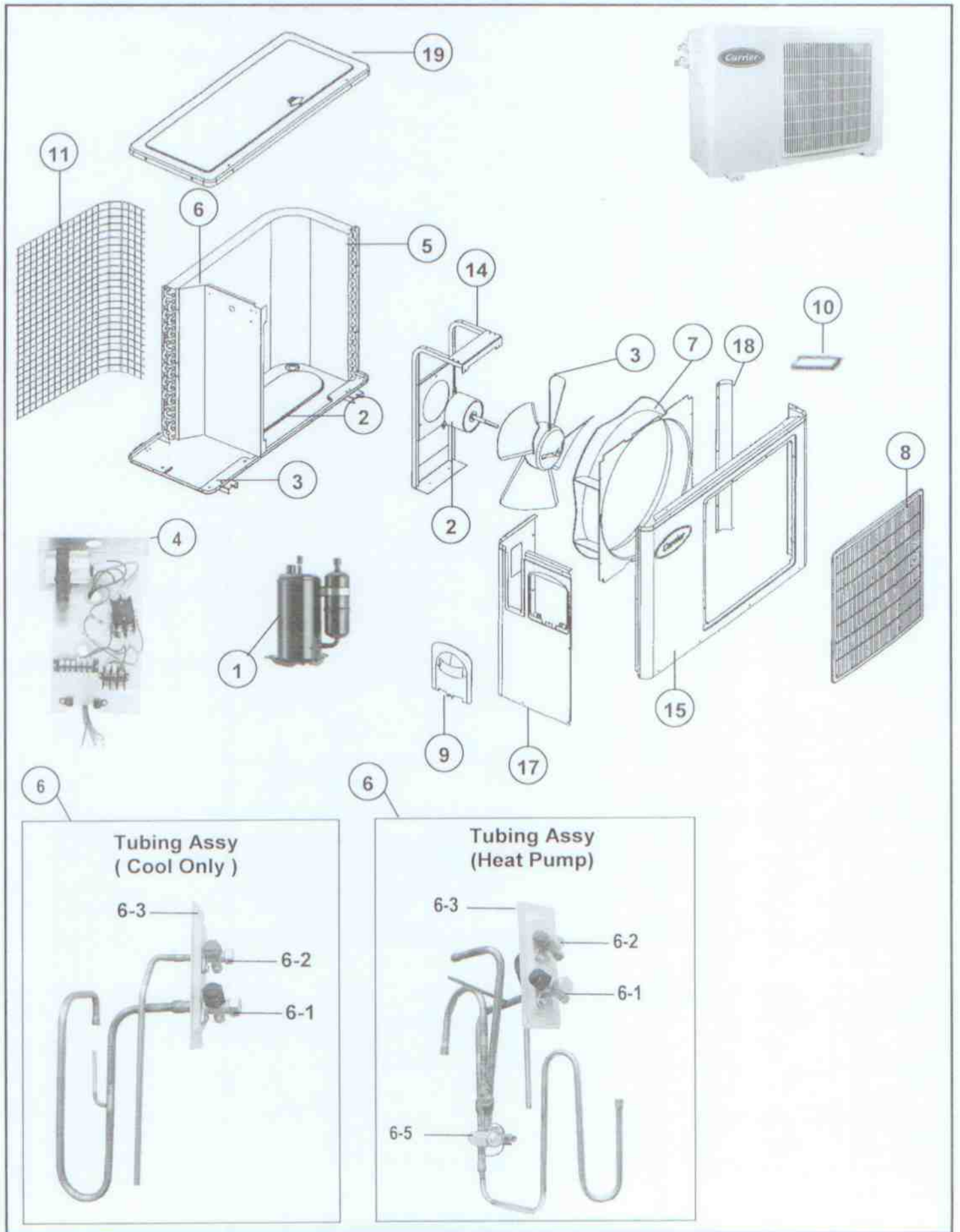


Details of Tubing Assy



No.	Part Name	Part Number	Quantity	
			38QPCT18C	38QPCT18H
6	Tubing Assy	36319660	1	
		36319662		1
6.1	Flare Valve 1/2"	02300437	1	1
6.2	Flare Valve 1/4"	02300440	1	1
6.3	Support – Flare Valve	36311559	1	1
6.4	Tubing Set	36319684	1	
		36319686		1
6.5	Reversing Valve STF-02A W/Coil	02200427		1

# 7. EXPLODED VIEW OF OUTDOOR UNIT 24K



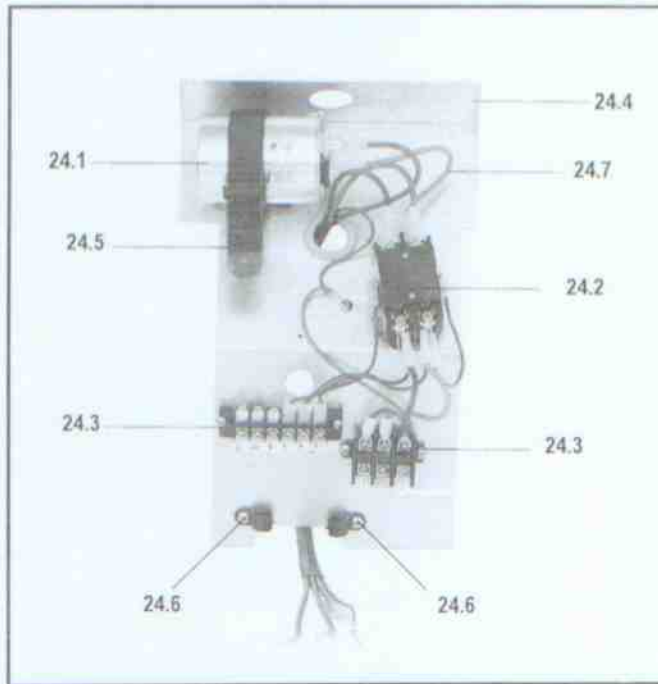
## 8. PART LIST OF OUTDOOR UNIT 24K



No.	Part Name	Part Number	Quantity	
			38QPCT24C	38QPCT24H
1	Compressor c/w Grommets & Spacers Panasonic Rotary Compressor 2JS438D3FE02	01500241	1	1
2	Motor 1/10 HP - 860 RPM YDK75-6T	02400154	1	1
3	Propeller c/w Socket Screw 8x8mm	02600441	1	1
4	Electrical box assy	36315317	1	1
5	Outdoor Coil & Headers Assy	36313852	1	1
6	Tubing assy		1	1
7	Orifice Propeller	02803112	1	1
8	Guard Propeller	02803113	1	1
9	Service Door	02803106	1	1
10	Handle Small ( 201150290006 )	02801029	1	1
11	Coil Guard	02801041	1	1
12	Base Assy	08107402	1	1
13	Supporting Leg Assy	36314043	4	4
14	Motor Support Assy.	08113880	1	1
15	Shroud	06307491	1	1
16	Partition	08107498	1	1
17	Back Panel	08107409	1	1
18	Back Support	06307492	1	1
19	Cover	08107400	1	1



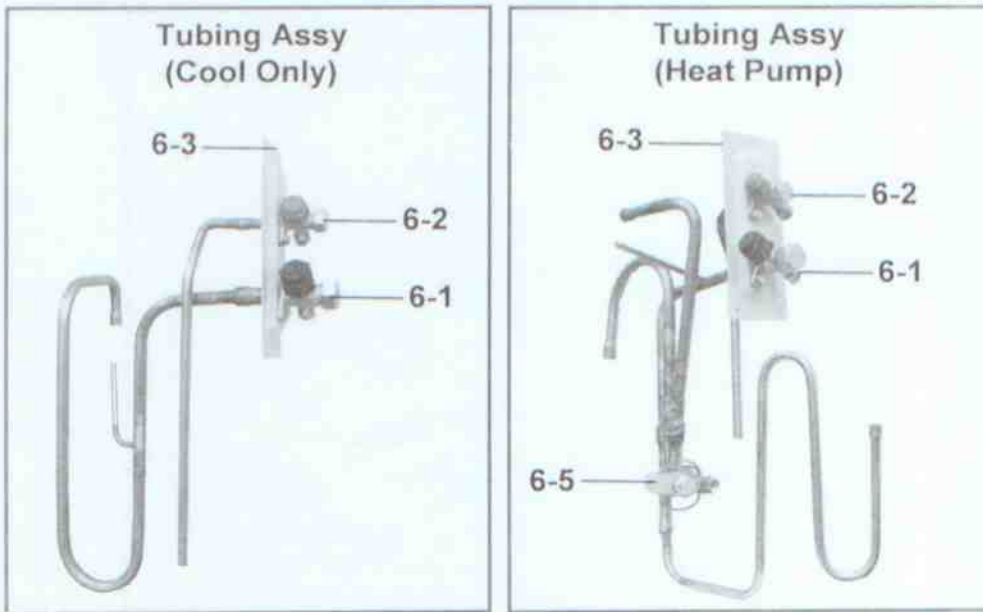
Details of Electrical Box Assy



No.	Part Name	Part Number	Quantity	
			38QPCT24C	38QPCT24H
4	Electrical Box Assy	36314018	1	
		36314016		1
4.1	Dual Capacitor 50 + 5 MFD/440 VAC	02400379	1	1
4.2	Contactora 2 Poles-30 Amps	02400572	1	1
4.3	Outdoor PCB ( 201337990014 )	02506038	1	1
4.4	Transformer ( 202300900179 )	02506034	1	1
4.5	Terminal Block 3 Poles-30 Amps	02501315	2	2
4.6	Electrical Wires Set	02500807	1	1
4.7	Capacitor Clamp	02804078	1	1
4.8	Cable Clamp	02802523	2	2
4.9	Electrical Box	02500887	1	
		02500875		1



Details of Tubing Assy



No.	Part Name	Part Number	Quantity	
			38QPCT24C	38QPCT24H
6	Tubing Assy	36319661	1	
		36319663		1
6-1	Flare Valve 5/8"	02300438	1	1
6-2	Flare Valve 1/4"	02300440	1	1
6-3	Support – Flare Valves	08107472	1	1
6-4	Reversing Valve SHF-7K-34U-P W/Coil	02200405		1
6-5	Tubing Set	36319685	1	
		36319687		1

