

CRYSTAL

Hi Wall Split Air Conditioners

53KHRT 12-18-24

Cool Only



SPARE PARTS MANUAL

Carrier is committed to continuously improving its products according to national and international standards to ensure the highest quality and reliability standards, and to meet market regulations and requirements.

All specifications subject to change without prior notice according to Carrier policy of continuous development.

03502905



Rev. (0) - 2012



TABLE OF CONTENTS

	PAGE NO.
1. Unit Model Designation & Identification	1
2. Unit Models & Part Numbers	1
3. Exploded View of Indoor Unit 12K	2
4. Part List of Indoor Unit 12K	3
5. Exploded View of Outdoor Unit 12K	4
6. Part List of Outdoor Unit 12K	5
7. Exploded View of Indoor Unit 18K	8
8. Part List of Indoor Unit 18K	9
9. Exploded View of Outdoor Unit 18K	11
10. Part List of Outdoor Unit 18K	12
11. Part List of Indoor Unit 24K	14
12. Exploded View of Outdoor Unit 24K	16
13. Part List of Outdoor Unit 24K	17

1. UNIT MODEL DESIGNATION & IDENTIFICATION

- 53 = Split System**
 - 42 = Indoor Unit**
 - 38 = Outdoor Unit**
 - K = Cool Only**
 - H = Hi Wall Split Systems**
 - R = Crystal Series**
 - T = High Ambient**
 - 12 = System Size**
 - 7 = Nominal Power Supply 220-240V ~ 50Hz 1Ph**
 - 0 = Wireless Remote Control**
 - 8 = Miraco – Carrier Mfg.**
-

2. UNIT MODELS & PART NUMBERS

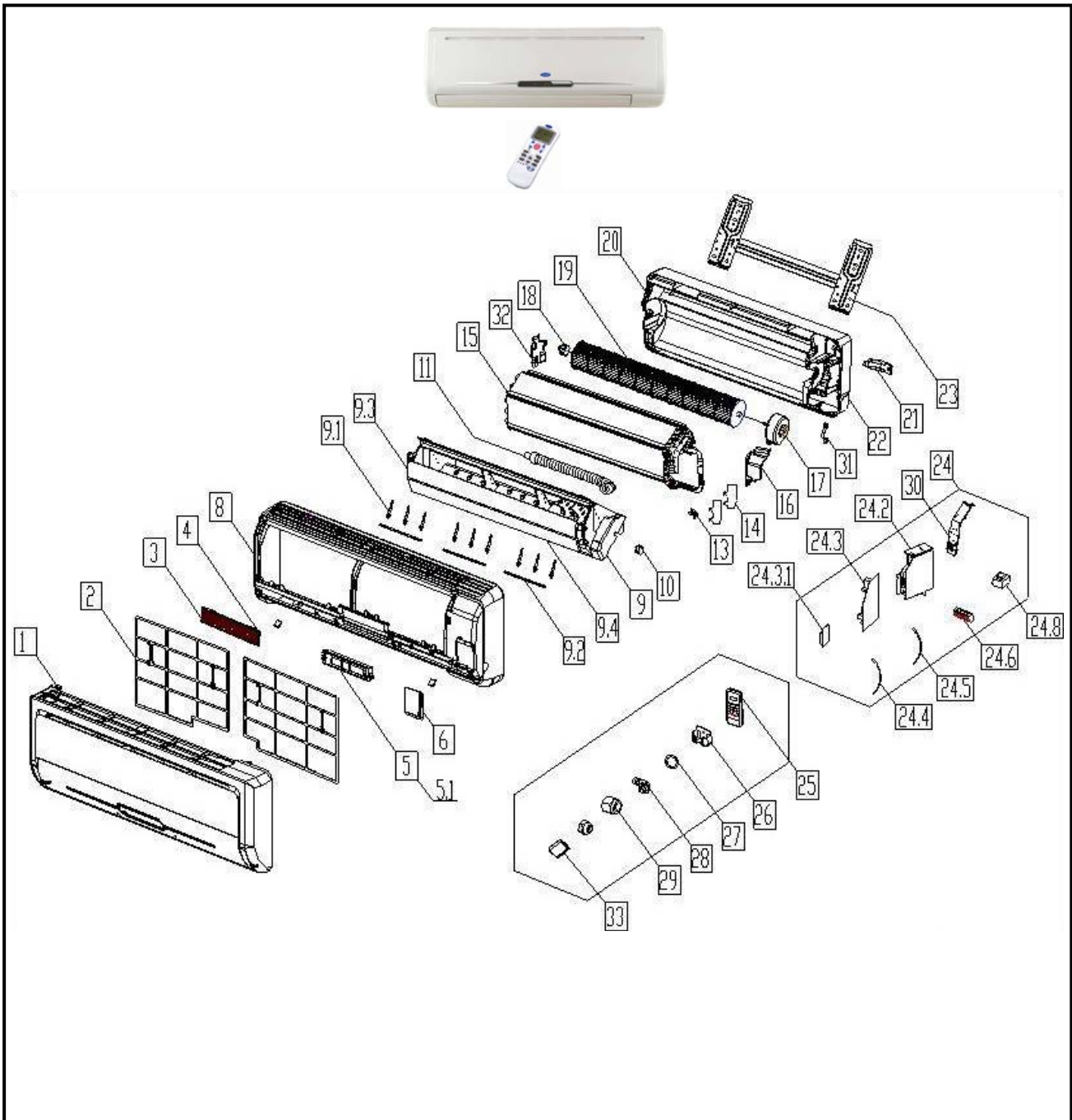
SPLIT SYSTEMS FOR DOMESTIC MARKET

COOL ONLY	Indoor Unit		Outdoor Unit			
	Model	P/N	Model	P/N	Compressor	
					Type	Supplier
	42KHRT12-708	46302852	38KHRT12-708	46302850	Rotary	GMCC / Toshiba
	42KHRT18-708	46302931	38KHRT18-708	46302629	Rotary	Hitachi
	42KHRT24-708	46302631	38KHRT24-708	46302940	Rotary	Panasonic

SPLIT SYSTEMS EXPORT MARKETS

COOL ONLY	Indoor Unit		Outdoor Unit			
	Model	P/N	Model	P/N	Compressor	
					Type	Supplier
	42KHRT12-708	46302942	38KHRT12-708	46302854	Rotary	GMCC / Toshiba
	42KHRT18-708	46302943	38KHRT18-708	46302628	Rotary	Hitachi
	42KHRT24-708	46302944	38KHRT24-708	46302941	Rotary	Panasonic

3. EXPLODED VIEW OF INDOOR UNIT 12K

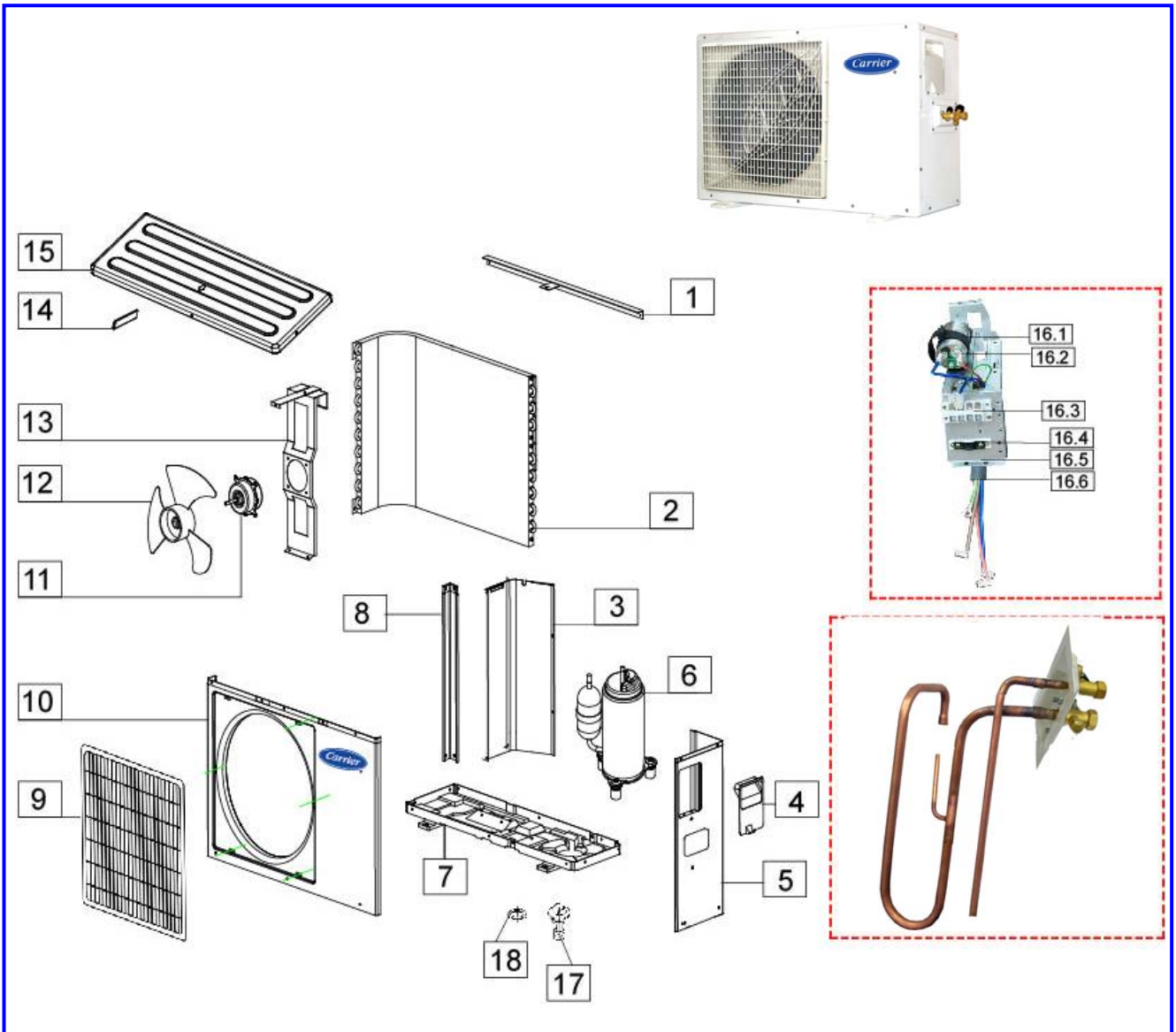


4. PART LIST OF INDOOR UNIT 12K



NO.	PART NAME	PART NUMBER	QUANTITY / UNIT
			42KHRT12-708
1	Front panel assy (201132590573)	02803050	1
2	Air filter (201132590113)	02803051	1
	Air filter (201132590112)	02803052	1
3	Air cleaner (201130100212)	02803053	1
4	Air filter bracket (201130100217)	02803054	1
5	Display box assy (203332490096)	36319031	1
5.1	Display board assy (201333090164)	02502767	1
6	Window cover assy (201132590111)	02803055	1
8	Panel frame assy (201132590672)	02803056	1
9	Air outlet assy (201132590671)	36319033	1
9.1	Vertical vane (201132590443)	02803058	9
9.2	Louver holder (201132590444)	02803059	3
9.3	Horizontal louver, up (201132590758)	02803060	1
9.4	Horizontal louver, down (201132590759)	02803061	1
10	Louver motor (202400200027)	02400022	1
11	Drain hose (201101020038)	02803062	1
14	Water proof board (201150290009)	02803066	1
15	Indoor coil & headers assy (201532590400)	02600601	1
16	Motor cover (201132590114)	02803067	1
17	Fan Motor (202400400213)	02400023	1
18	Bearing Base (202730190001)	06313797	1
19	Cross flow fan (201100200020)	02803068	1
20	Chassis assy (201132590675)	02803069	1
21	Pipe clamp board (201132790085)	02803070	1
23	Installation plate (201232390012)	06313798	1
24	Control box assy (2033325A08)	36319035	1
24.2	Control box (201132790083)	02803071	1
24.3	Main control board assy (201332590339)	02502791	1
24.3.1	Fan motor capacitor assy (202401200001)	02502778	1
24.4	Indoor temp sensor (202433190000)	02502779	1
24.5	Pipe temp sensor (202301300080)	02502785	1
24.6	Wire joint (202301450121)	02502786	1
24.8	Transformer (202300900095)	02502787	1
25	Remote Control – R12 / Egypt	02502788	1
26	Bracket, Remote Control (201155091050)	02803072	1
29	Copper nut (201600320002)	02101514	1
	Copper nut (201600320000)	02101515	1
30	Control box cover (201132790087)	02803075	1
31	Fixing board for motor (201132790084)	02803076	1
	Fixing board for bearing (201132790086)	02803077	1
35	Chassis front cover (201132590674)	02803078	1
41	Fix Clamp of temperature sensor (201102000305)	02808109	1

5. EXPLODED VIEW OF OUTDOOR UNIT 12K



6. PART LIST OF OUTDOOR UNIT 12K

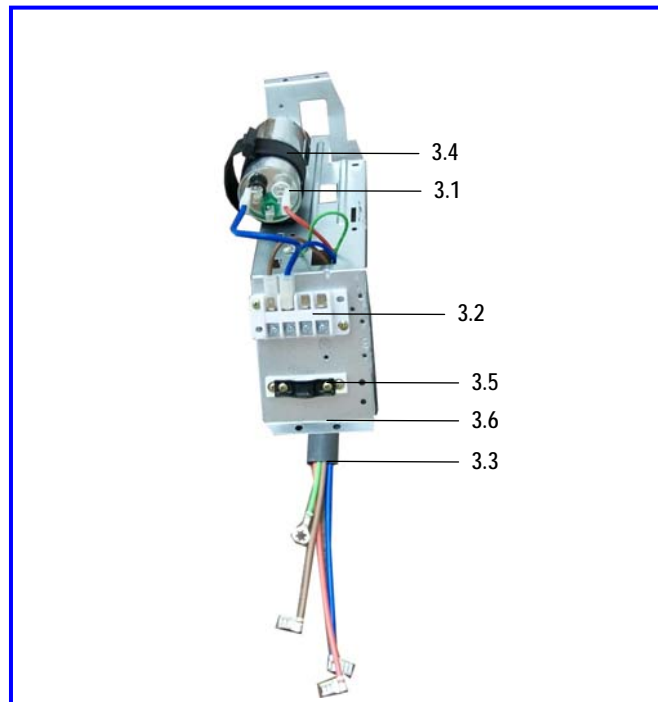


No.	Part Name	Part Number	Quantity
			38KHRT12-708
1	Toshiba Rotary Compressor PH210M2A-4FTS1	01500275	1
2	Outdoor Motor 1/10HP-865RPM YDK24-6-12	02400160	1
3	Propeller Fan (201100300502)	02801025	1
4	Electrical Box Assy	36313841	
5	Outdoor Coil and Headers Assy	02600269	1
6	Tubing Assy	36319676	1
7	Front Net - Plastic (201137500006)	02801026	1
8	Big Handle (201137590004)	02801030	1
9	Small Handle (201150290006)	02801029	1
10	Coil Guard	02801027	1
11	Base Pan Assy	08100226	1
12	Motor Bracket	08100251	1
13	Front Panel	08100221	1
14	Side Panel	08100233	1
15	Partition	06300245	1
16	Corner Support	08100227	1
17	Top Cover	08100222	1

PART LIST OF OUTDOOR UNIT 12K (Cont.)



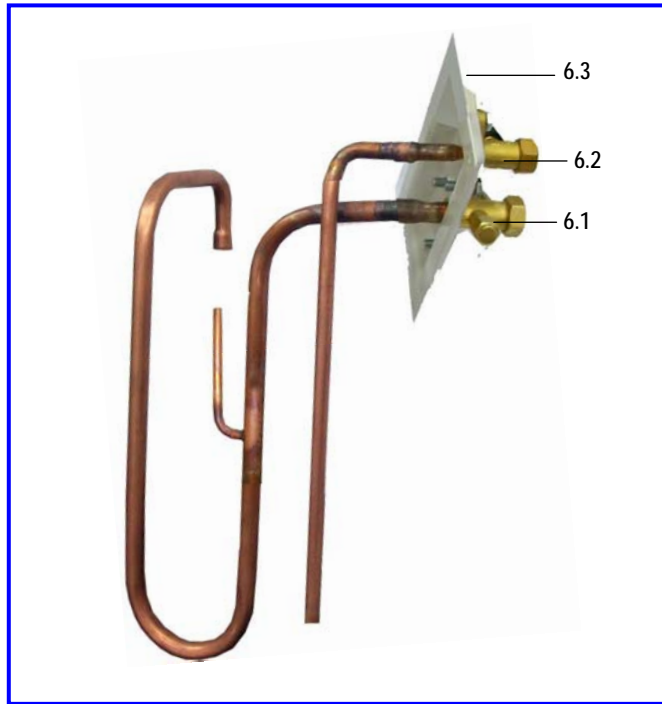
Electrical Box Assy



No.	Part Name	Part Number	Quantity
			38KHRT12-708
3	Electrical Box Assy		
3.4	Plastic Clamp - Capacitor	02804078	1
3.1	Dual Capacitor 35 + 2.5 MFD / 450V	02400386	1
3.2	Terminal Block 202301450130	02501308	1
3.5	Cable Clamp	02802523	1
3.6	Electrical Panel	06300252	1
3.3	Electrical Wires Set	02500804	1

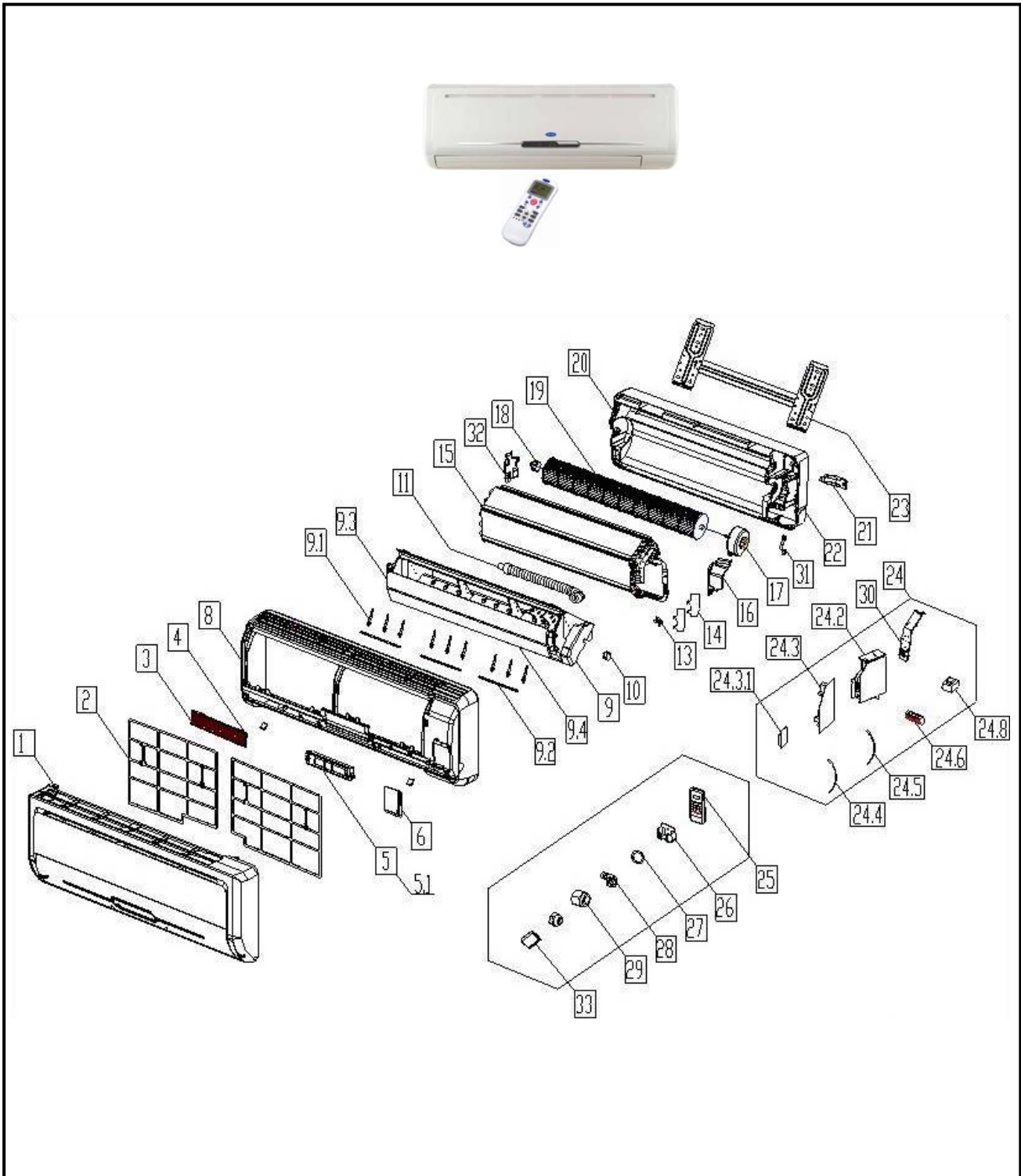


Details of Tubing Assy



No.	Part Name	Part Number	Quantity / Unit
			38KHRT12-708
6	Tubing Assy	36319676	1
6.1	Flare Valve 3/8"	02300436	1
6.2	Flare Valve 1/4"	02300440	1
6.3	Support – Flare Valves	08100233	1
6.4	Tubing Set	36319701	1

7. EXPLODED VIEW OF INDOOR UNIT 18K

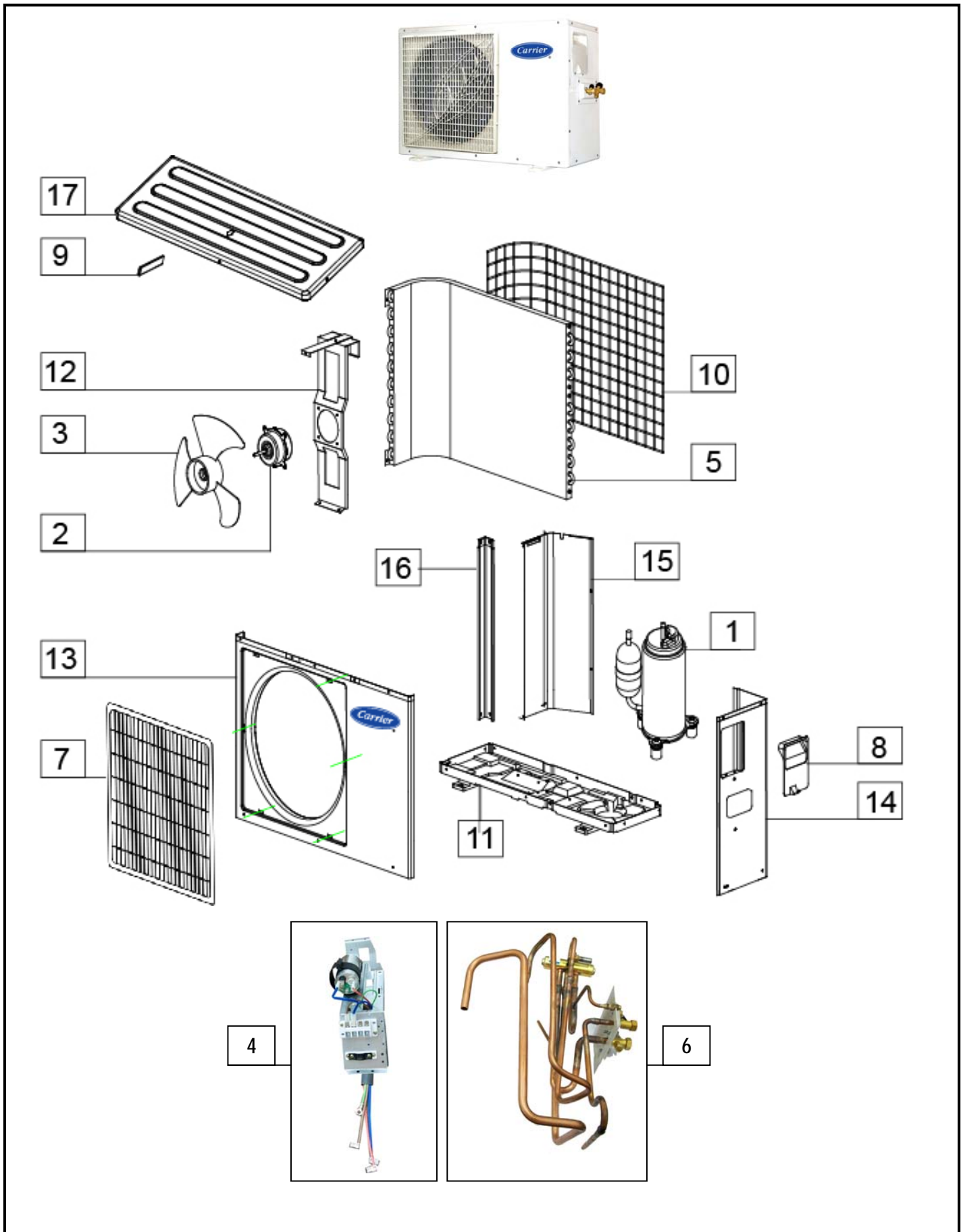


8. PART LIST OF INDOOR UNIT 18K



NO.	PART NAME	PART NUMBER	QUANTITY / UNIT
			42KHRT18-708
1	Panel assy (201132890540)	36309104	1
2	Air filter (201132790091)	02808119	2
3	Air cleaner	02802843	1
4	Bracket of air filter (201130100217)	02808111	1
5	Display box assy (203332790161)	36309111	1
5.1	Display board assy (201333090164)	02502767	1
6	Window cover (201132790090)	02808118	1
7	Screw cap (201132790578)	02808129	3
8	Panel frame assy (201132790545)	02808124	1
9	Air outlet assy (201132790383)	36309103	1
9.1	Vertical vane (201132790339)	02808122	3
9.1	Vertical vane (201132790338)	02808121	9
9.2	Louver holder (201132790340)	02808123	3
9.3	Horizontal louver (above) (201132790568)	02808128	1
9.4	Horizontal louver (below) (201132790567)	02808127	1
10	Louver motor (202400200027)	02808150	1
11	Drain hose (201130000011)	02808110	1
14	Waterproof board (201150290009)	02808147	1
15	Indoor coil & headers assy (201532890112)	02600262	1
16	Fan motor cover (201132790097)	02808120	1
17	Fan motor (202400300413)	02400266	1
18	Bearing base (202732390001)	02808151	1
19	Cross flow fan 201100200033	02808105	1
20	Chassis assy (201132790382)	36309102	1
21	Pipe clamp board (201132790085)	02808116	1
23	Installation plate (201232390012)	06313798	1
24	Control box assy (203332890422)	36309114	1
24.2	Control box (201132790083)	02808114	1
24.3	Main control board assy (201332890391)	36309109	1
24.3.1	Fan motor capacitor (202401200001)	02400269	1
24.4	Indoor temp. sensor assy (202433190000)	02502779	1
24.5	Pipe temp. sensor asy (202301300080)	02502785	1
24.6	Wire joint (202301450121)	02808149	1
24.8	Transformer (202300900095)	02502788	1
25	Remote Control – R12 / Egypt	02502788	1
26	Bracket, Remote Control – R12 / Egypt	02803072	1
29	Copper nut (201600320007)	02101517	1
	Copper nut (201600320003)	02101512	1
30	Cover control box (201132790087)	02803075	1
31	Fixing board of fan motor (201132790084)	02808115	1
32	Fixing board of bearing (201132790086)	02808117	1
33	Cover board for wiring (201132590106)	02808113	1
34	Panel frame front cover (201132790547)	02808125	1
35	Front cover of chassis (201132790548)	02808126	1
41	Fix clamp of temper. Sensor (201102000305)	02808109	1

9. EXPLODED VIEW OF OUTDOOR UNIT 18K



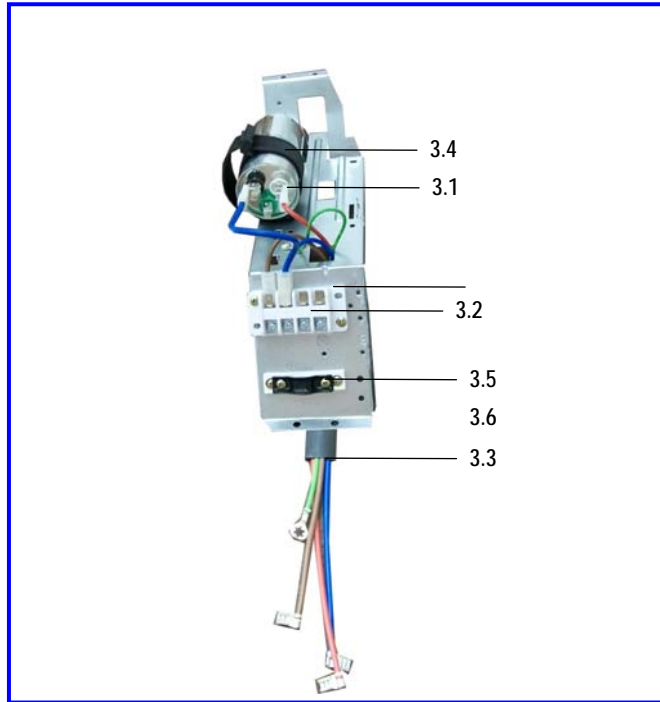
10. PART LIST OF OUTDOOR UNIT 18K



No.	Part Name	Part Number	Quantity / Unit
			38KHRT18-708
1	Rotary Compressor SH336MV-C8LU	01500257	1
2	Motor 110W-890RPM YDK48-6H(A)	02400236	1
3	Propeller Fan	02802340	1
4	Electrical Box Assy		
5	Outdoor Coil and Headers Assy	02600321	1
6	Tubing Assy	36319677	1
7	Front Net - Plastic	02803352	1
8	Big Handle (201137590004)	02801030	1
9	Small Handle (201150290006)	02801029	1
10	Coil Guard	02803159	1
11	Base Pan Assy	36311667	1
12	Motor Bracket	06308864	1
13	Front Panel	36311555	1
14	Side Panel	36311558	1
15	Partition	06308859	1
16	Corner Support	36311557	1
17	Top Cover	36311556	1



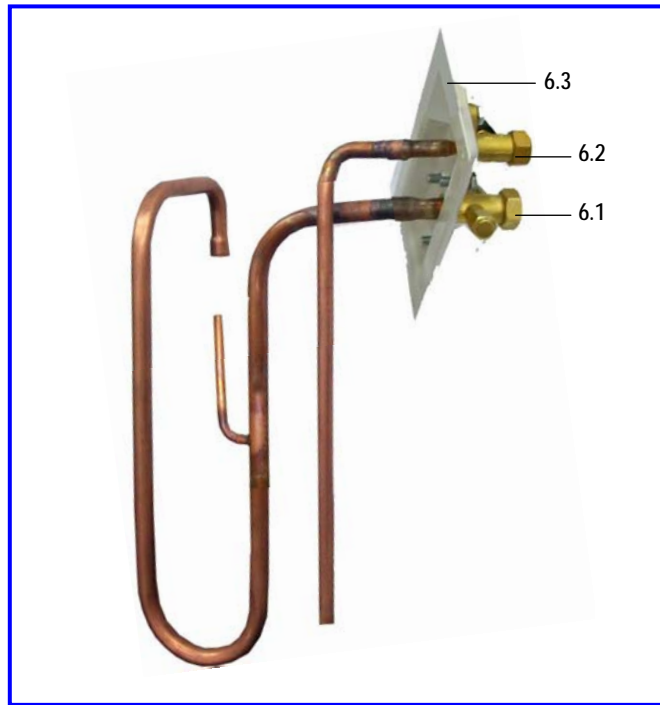
Details of Electrical Box Assy



No.	Part Name	Part Number	Quantity / Unit
			38KHRT18-708
3	Electrical Box Assy		
3.1	Dual Capacitor 50 + 3 MFD / 450 VAC	02400361	1
3.2	Terminal Block (202301450130)	02501308	1
3.3	Electrical Wires Set	02500863	1
3.4	Plastic Clamp - Capacitor	02804078	1
3.5	Cable clamp	02802523	1
3.6	Electrical Panel (201235270261)	06301718	1

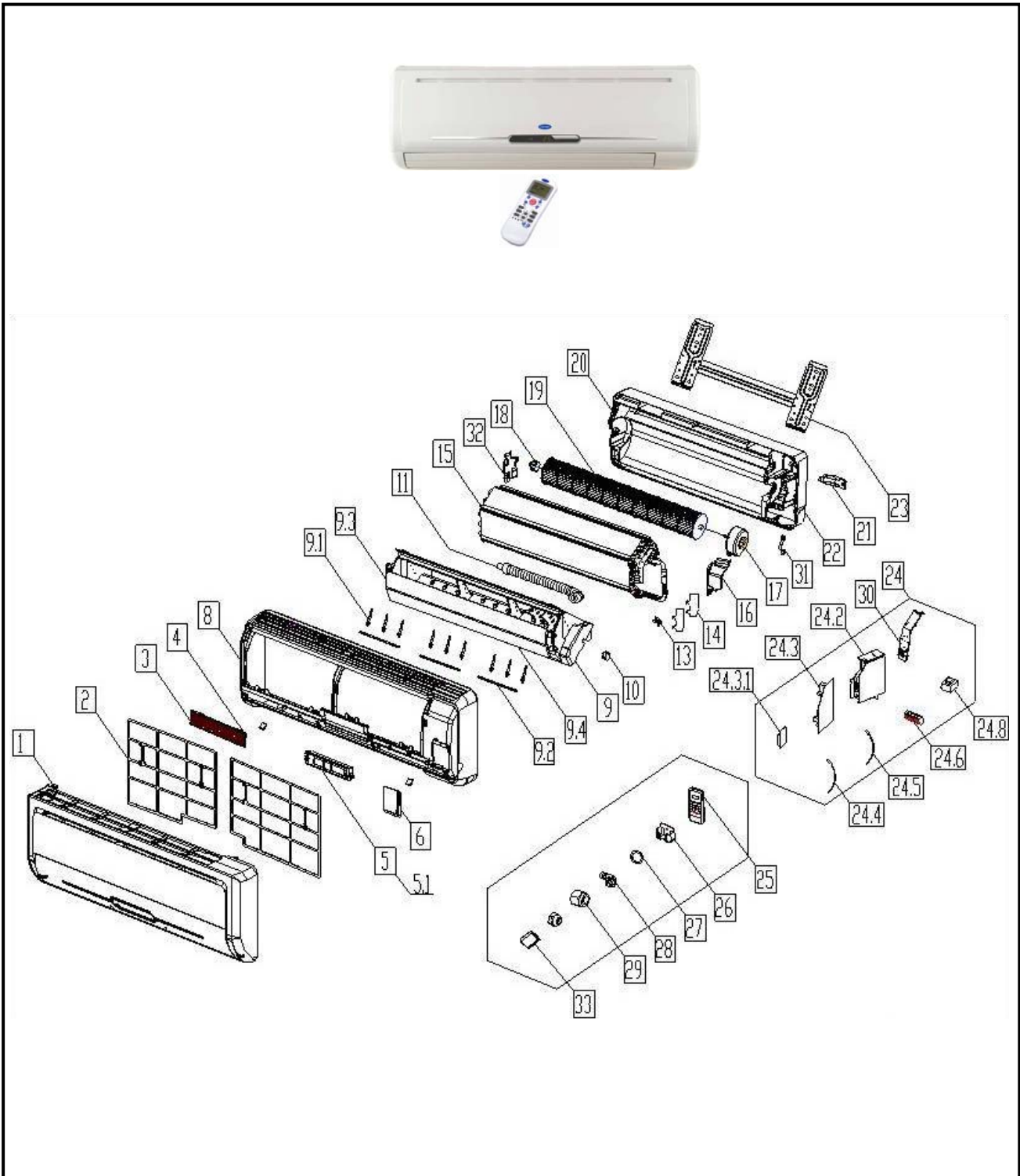


Details of Tubing Assy



No.	Part Name	Part Number	Quantity / Unit
			38KHRT18-708
6	Tubing Assy	36319677	1
6.1	Flare Valve 1/2"	02300437	1
6.2	Flare Valve 1/4"	02300440	1
6.3	Support – Flare Valve	36311559	1
6.4	Tubing Set	36319702	1

11. EXPLODED VIEW OF INDOOR UNIT 24K

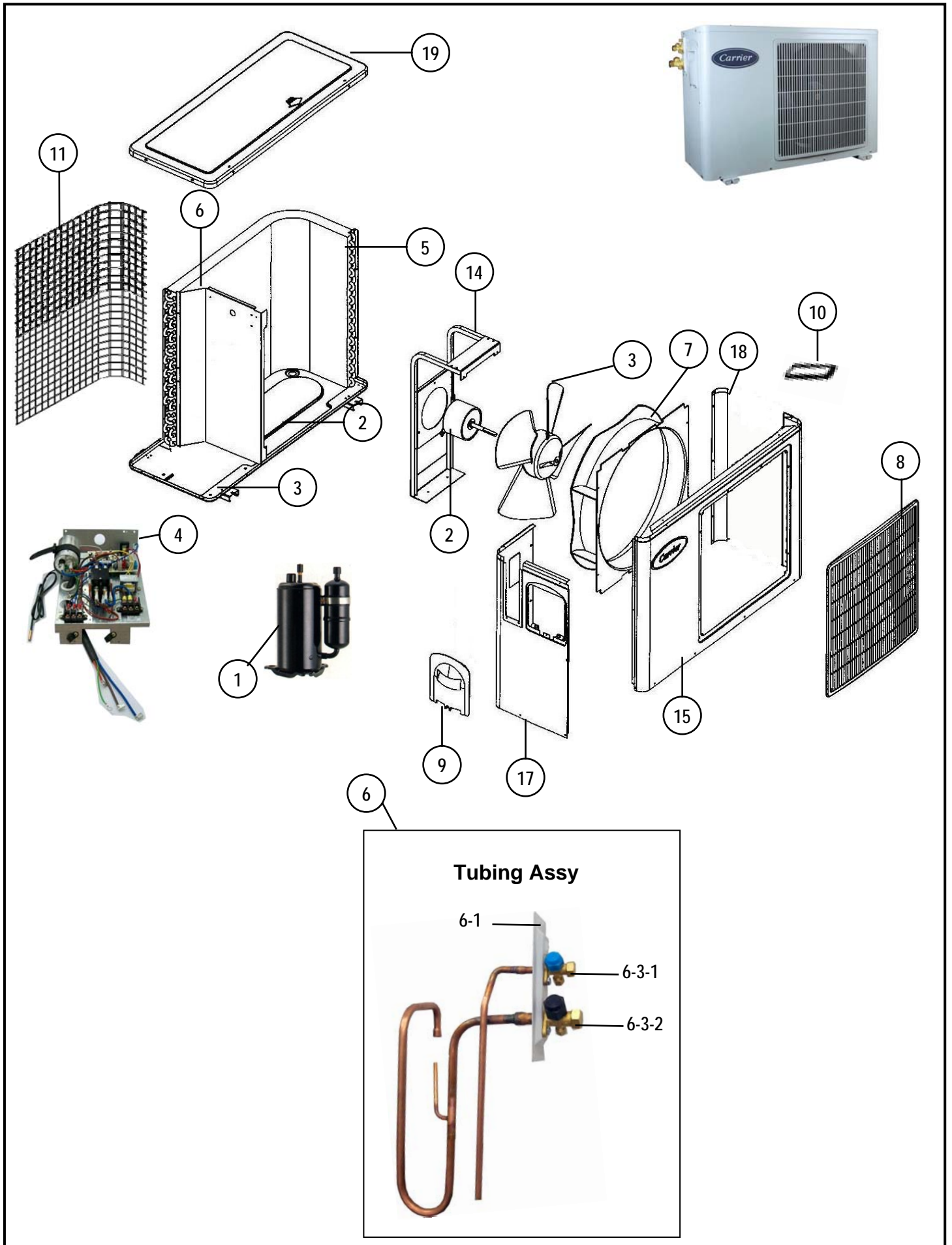


12. PART LIST OF INDOOR UNIT 24K



NO.	PART NAME	PART NUMBER	QUANTITY/UNIT
			42KHRT24-708
1	Panel assembly (201132990058)	36309107	1
2	Air filter (201133090127)	02808138	1
2	Air filter (201133090126)	02808137	1
3	Air cleaner (201133090003)	02808133	1
4	Bracket of air filter (201133090129)	02808140	1
5	Display box assy (203333090142)	36309118	1
5.1	Display board assy (201333090164)	02502767	1
6	Window cover (201133090120)	02808136	1
7	Screw cap (201133090557)	02808146	3
8	Panel frame assy (201132990040)	02808132	1
9	Air outlet assy (201132990013)	36309105	1
9.1	Vertical vane (201133090438)	02808144	14
9.1	Vertical vane (201133090437)	02808143	2
9.2	Louver holder (201133090439)	02808145	2
10	Louver motor (202400200004)	02802773	1
11	Drain hose (201130000011)	02808110	1
14	Waterproof board (201130310350)	02808112	1
15	Indoor coil & headers assy (201532990029)	02600263	1
17	Fan motor (202400400738)	02400267	1
18	Bearing base (202733090000)	02808152	1
19	Cross flow fan (201100200103)	02808106	1
20	Chassis assy (201132990039)	36309106	1
21	Pipe clamp board (201133090130)	02808141	1
21	Pipe clamp board (201133090009)	02808134	1
23	Installation plate (201232990001)	06309526	1
24	Control box assy (203333090370)	36309119	1
24.2	Control box (201133090117)	02808135	1
24.3	Main control board assy (201333090513)	36309117	1
24.4	Indoor temp.sensor assy (202301310079)	02508711	1
24.5	Pipe temp. sensor assy (202301300080)	02502785	1
24.6	Wire joint (202301450119)	02808148	1
24.7	Fan motor capacitor (202401100353)	02400268	1
24.8	Transformer (20230090a170)	02508714	1
25	Remote Control – R12 / Egypt	02502788	1
26	Bracket, Remote Control – R12 / Egypt	02803072	1
29	Copper nut (201600320007)	02101517	1
	Copper nut (201600320003)	02101512	1
30	Cover control box (201133090131)	02808142	1
31	Fixing board of fan motor (201133090128)	02808139	1
38	Horizontal louver (above) (201132990032)	02808130	1
39	Horizontal louver (below) (201132990033)	02808131	1
41	Fix clamp of temp. Sensor (201102000305)	02808109	1

12. EXPLODED VIEW OF OUTDOOR UNIT 24K



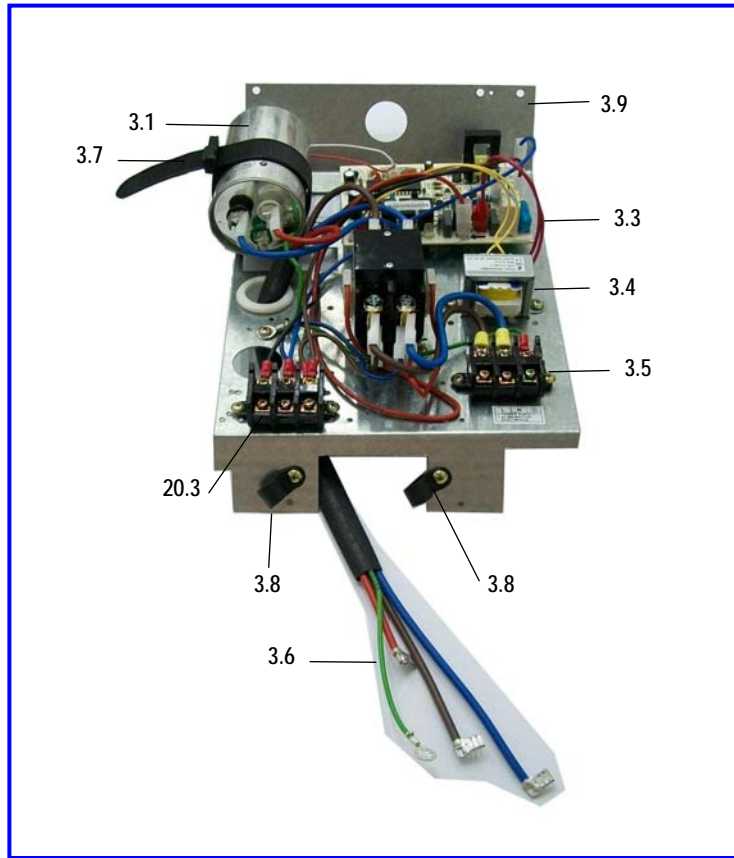
13. PART LIST OF OUTDOOR UNIT 24K



No.	Part Name	Part Number	Quantity
			38KHRT24-708
1	Compressor c/w Grommets & Spacers Panasonic Rotary Compressor 2V40S225BUB	01500159	1
2	Motor 1/10 HP - 860 RPM	02400154	1
3	Propeller c/w Socket Screw 8x8mm	02600441	1
4	Electrical box assy	36315317	1
5	Outdoor Coil & Headers Assy	36313852	1
6	Tubing assy	36319678	1
7	Orifice Propeller	02803112	1
8	Guard Propeller	02803113	1
9	Service Door	02803106	1
10	Handle Small (201150290006)	02801029	1
11	Coil Guard	02801041	1
12	Base Assy	08107402	1
13	Supporting Leg Assy	36314043	4
14	Motor Support Assy.	08113880	1
15	Shroud	06307491	1
16	Partition	08107498	1
17	Back Panel	08107409	1
18	Back Support	06307492	1
19	Cover	08107400	1



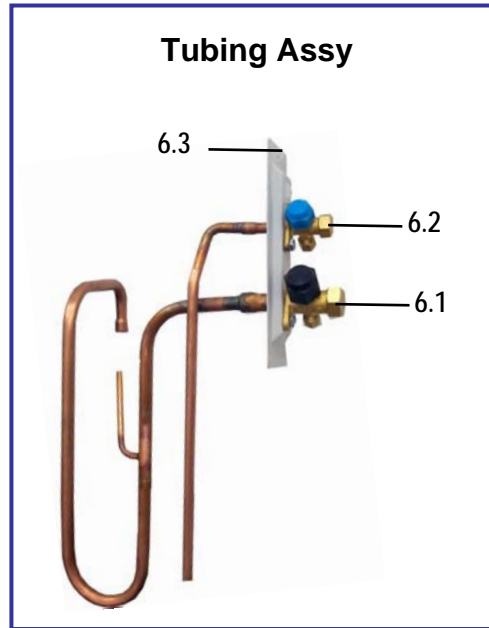
Details of Electrical Box Assy



No.	Part Name	Part Number	Quantity
			38KHRT24-708
3	Electrical Box Assy	36315317	1
3.1	Dual Capacitor 60 + 5 MFD/440 VAC	02400377	1
3.2	Contactor 2 Poles-30 Amps	02400572	1
3.3	Outdoor PCB (201337990014)	02506038	1
3.4	Transformer (202300900179)	02506034	1
3.5	Terminal Block 3 Poles-30 Amps	02501315	2
3.6	Electrical Wires Set	02500807	1
3.7	Capacitor Clamp	02804078	1
3.8	Cable Clamp	02802523	2
3.9	Electrical Box	06307456	1



Details of Tubing Assy



No.	Part Name	Part Number	Quantity
			38KHRT24-708
6	Tubing Assy	36319678	
6-1	Flare Valve 1/2"	02300437	1
6-2	Flare Valve 1/4"	02300440	1
6-3	Support – Flare Valves	08107472	1
6-4	Tubing Set	36319703	1