



turn to the expertsSM

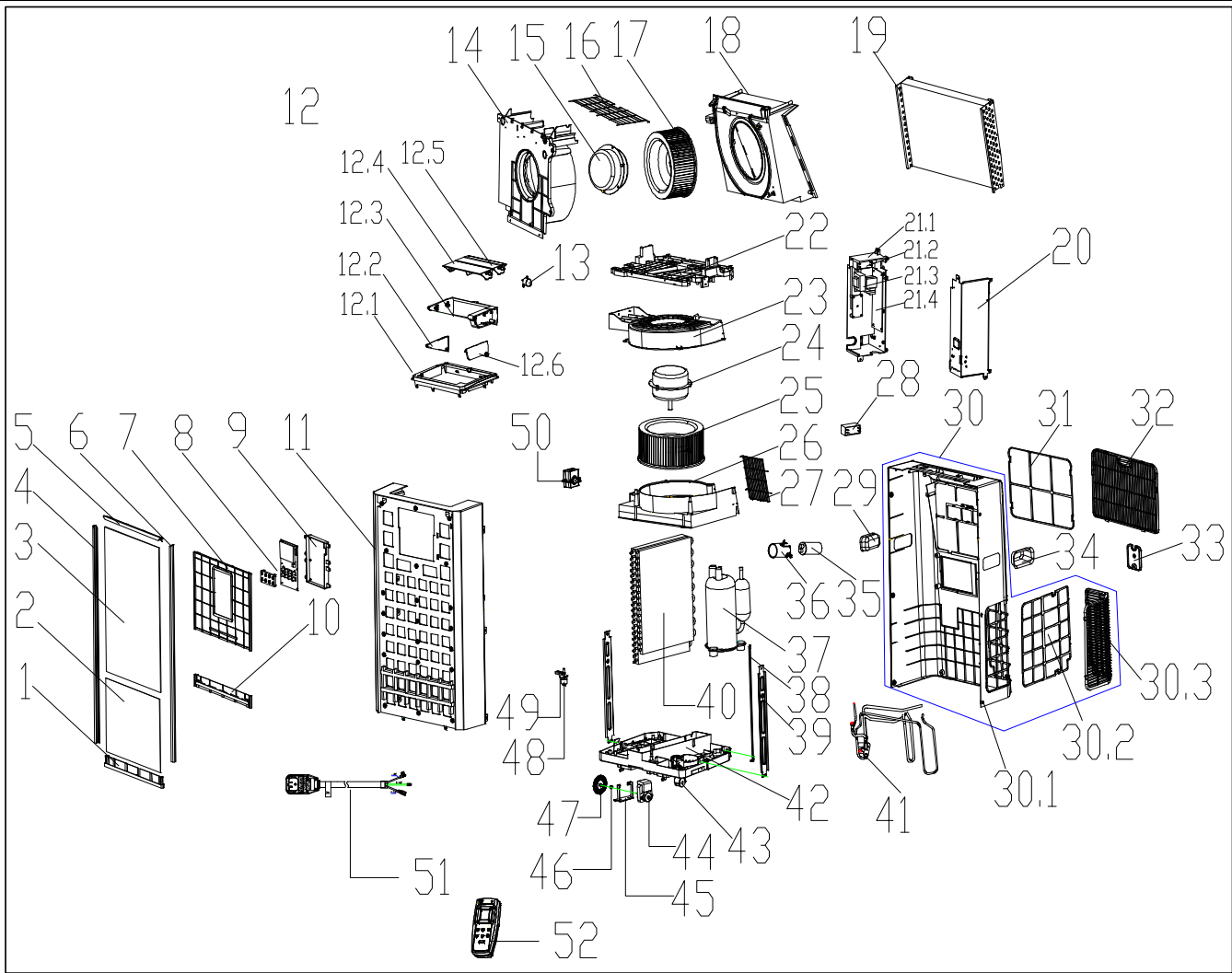
PORTABLE ROOM AIR CONDITIONER 51QP12-708 HEAT PUMP

SPARE PARTS MANUAL



Carrier is committed to continuously improving its products according to national and international standards to ensure the highest quality and reliability standards, and to meet market regulations and requirements. All features and specifications subject to change without prior notice according to Carrier policy of continuous development.

1. EXPLODED VIEW OF PORTABLE UNIT 51QP12-708



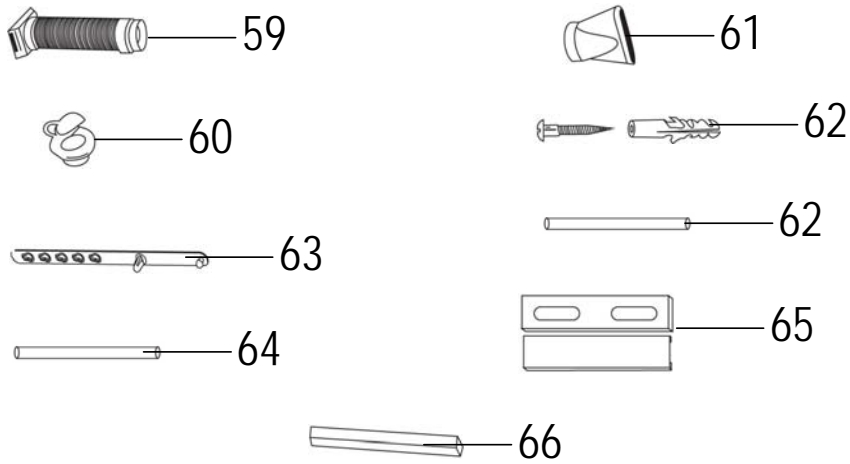
2. PART LIST OF PORTABLE UNIT 51QP12-708

No.	Part Name	Quantity	Miraco P/N
1	Glass piece(bottom)	1	06314239
2	Armor plate	1	02802987
3	Toughened glass	1	06314245
4	Glass piece(left)	1	06314240
5	Glass piece(top)	1	06314243
6	Glass piece(right)	1	06314242
7	Glass cover	1	06314238
8	Display board assy	1	02501455
9	Display box	1	02501456
10	Glass piece(mid)	1	06314241
11	Front panel	1	02802994
12	Air-out frame assy	1	36319555
12.1	Air-out frame	1	02802986
12.2	Vertical louver	1	02803037
12.3	Left cover for Vertical louver	1	02803027
12.4	Right cover for Vertical louver	1	02803035
12.5	Horizontal louver assy I	1	36319556
12.6	Horizontal louver assy II	1	36319557
13	Louver motor	1	02400265
14	Indoor volute shell	1	02803025
15	Fan motor	1	02400256
16	Indoor net cover	1	02803000
17	Indoor centrifugal fan	1	02802999
18	Wind inlet guide for Indoor volute shell	1	02803039
19	Evaporator	1	06314236
20	Cover of control box	1	02802991
21	Control box assy	1	02501454
21.1	Control box	1	02501453
21.2	Capacitor	1	02400253
21.3	Transformer	1	02400262
21.4	PCB	1	02400259
22	Cover for outdoor volute shell	1	02802990
23	Cover for outdoor air pipe	1	02802989
24	Fan motor	1	02400255
25	Outdoor centrifugal fan	1	02803031
26	Outdoor volute shell	1	02803042
27	Outdoor net cover	1	02803032
28	Motor capacitor	1	02400258
29	Left handle	1	02803029
30	Rear panel assy	1	36319558
30.1	Rear panel	1	02803034
30.2	Filter of Condenser	1	02802993
30.3	Grid of Condenser	1	02802996
31	Filter	1	02802992
32	Grid	1	02802995
33	Power cord cover	1	02803033
34	Right handle	1	02803036
35	Compressor capacitor	1	02400254
36	Compressor capacitor box	1	02803040
37	Compressor	1	01500939
38	Holder II	1	02802998
39	Holder I	2	02802997

PART LIST OF PORTABLE UNIT 51QP12-708 (Cont.)

No.	Part Name	Quantity	Miraco P/N
54	Condenser	1	6314235
41	Four-ways valve assy	1	6314237
42	Chassis	1	2802988
43	Castor	4	6314234
44	Motor	1	2400257
45	Motor holder	1	2803041
46	Spring	1	06314244
47	Water wheel	1	2803038
48	Water switch	1	2400264
49	Water switch holder	1	2803043
50	Water pump	1	2400263
51	Power cord	1	2400260
52	Remote controller	1	2400261
53	IONIZER 51QP 12-708	2	02501457

3. EXPLODED VIEW OF ACCESSORIES PORTABLE UNIT 51QP12-708



4. INSTALLATIONS ACCESSORIES PORTABLE UNIT 51QP12-708

No.	Part Name	Quantity	Miraco P/N
59	Flexible Exhaust Hose with Adapters	1	02803044
60	Wall Exhaust Adaptor A	1	02803045
61	Window Exhaust Adaptor B (flat mouth)	1	02803046
62	Expansion Pluge and wooden screw	4	02102216
63	Band (For bundling the power cord)	1	02803047
64	Drain Hose (for continuous drainage)	1	02803048
65	Adjustable Window Slider Kit	1	02803049
66	Foam Seal	3	01300095