



53CS



SERVICE & MAINTENANCE MANUAL

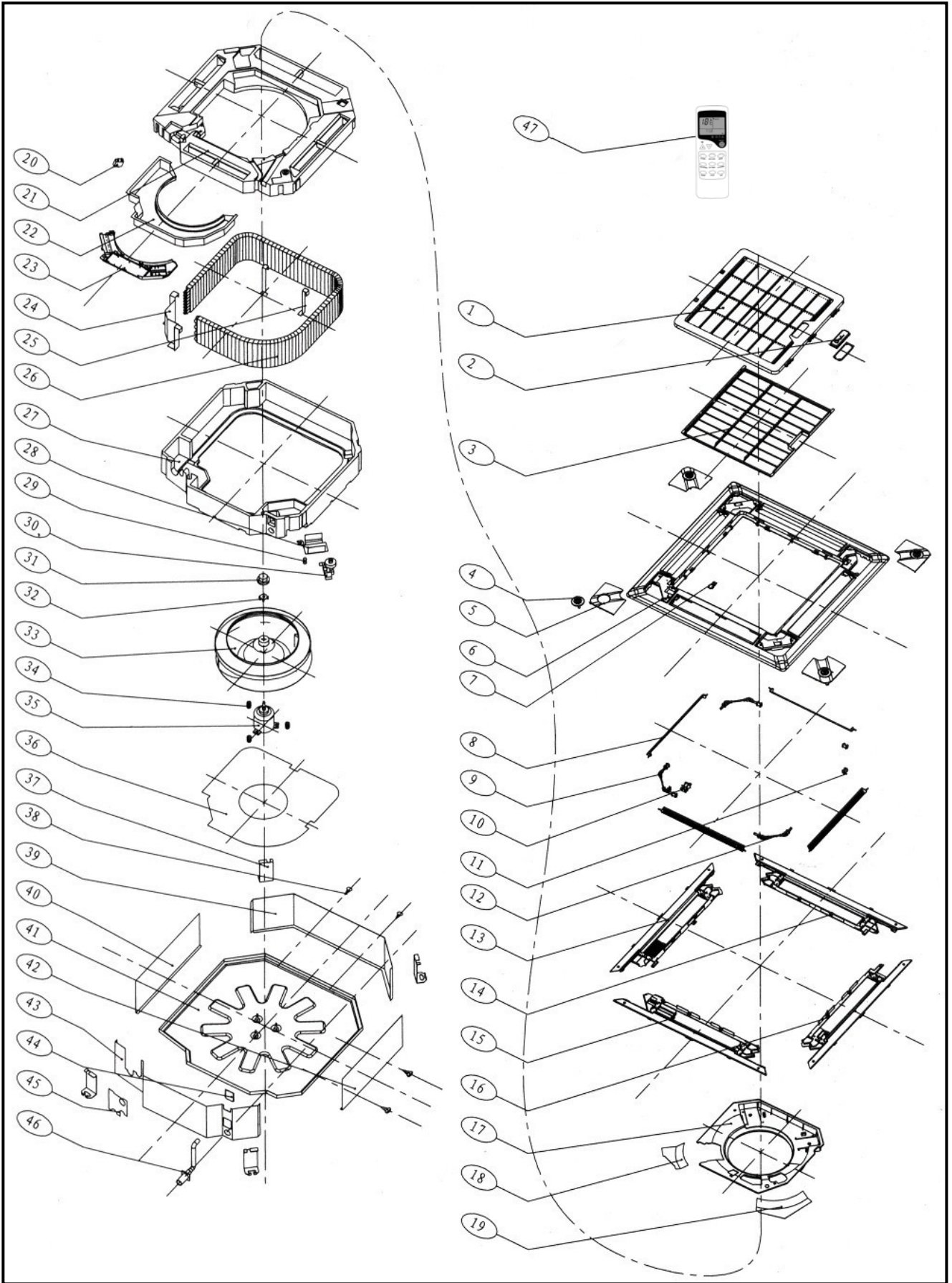


03502572

Rev. (1) 2006



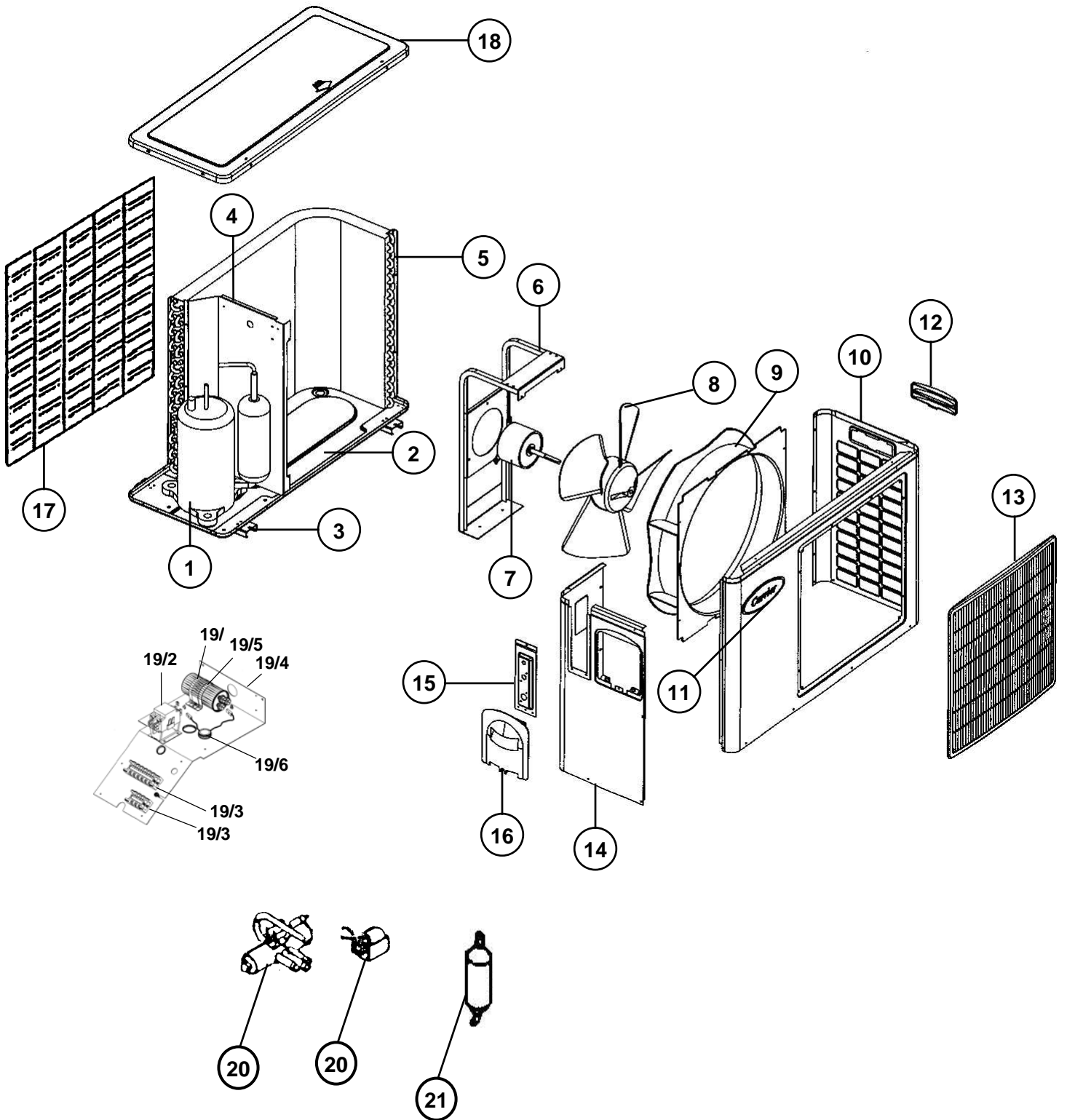
EXPLODED VIEW OF INDOOR UNIT



PART LIST OF INDOOR UNIT

NO.	PART NAME	PART NUMBER	QUANTITY / UNIT					
			40CS- H			40CS- C		
			24	36	48	24	36	48
1	AIR INLET GRILLE	02808046	1	1	1	1	1	1
2	INDICATOR	02506010	1	1	1	1	1	1
3	FILTER	02808047	1	1	1	1	1	1
4	CORNER LIGHT	02506011	1	1	1	1	1	1
5	FRONT PANEL	06350019	1	1	1	1	1	1
6	COVER BODY	06350020	1	1	1	1	1	1
7	HANGER	06350021	2	2	2	2	2	2
8	LOUVER	02808048	4	4	4	4	4	4
9	AXIS PART (2)	06350022	1	1	1	1	1	1
10	STEP MOTOR 35BYJ-46	02407507	1	1	1	1	1	1
11	PLASTIC BEARING	02808049	1	1	1	1	1	1
12	AXIS PART (1)	06350023	2	2	2	2	2	2
13	SIDE PANEL (1)	06350024	1	1	1	1	1	1
14	SIDE PANEL (2)	06350025	1	1	1	1	1	1
15	SIDE PANEL (3)	06350026	1	1	1	1	1	1
16	SIDE PANEL (4)	06350027	1	1	1	1	1	1
17	ELECTRICAL BOX COVER	02808050	1	1	1	1	1	1
18	WIRING DIAGRAM		1	1	1	1	1	1
19	LEDS & RECEIVER PCB	02506022	1	1	1	1	1	1
20	ELECTRICAL SYSTEM	02506013	1	1	1	1	1	1
21	WATER PLATE COMPONENT	02808051	1	1	1	1	1	1
22	ELECTRONIC HOLDER	02808052	1	1	1	1	1	1
23	ELECTRICAL BOX ASSY	02506014	1	1	1	1	1	1
23.1	MAIN PCB ZKFR-75Q/B	02506021	1	1	1	1	1	1
23.2	TRANSFORMER	02506015	1	1	1	1	1	1
23.3	CAPACITOR 4 MFD	02407511	1	1	1	1	1	1
23.4	CAPACITOR 10 MFD	02407512	1	1	1	1	1	1
23.5	INDOOR COIL SENSOR - 1500 MM	02506018	1	1	1	1	1	1
23.6	RETURN AIR SENSOR - 600 MM	02506019	1	1	1	1	1	1
24	MAIN FIXING PLATE	06350028	1	1	1	1	1	1
25	SUB FIXING PLATE	06350029	2	2	2	2	2	2
26	EVAPORATOR COIL	02608503		1	1		1	1
		02608504	1			1		
27	TOP FOAM	06350040	1	1	1	1	1	1
28	PUMP BRACKET	06350030	1	1	1	1	1	1
29	PUMP BRACKET WASHER	02101508	3	3	3	3	3	3
30	DRAINING PUMP PSB-12	02407508	1	1	1	1	1	1
31	CLIP NUT	02101504	1	1	1	1	1	1
32	FAN CLIP	02101505	1	1	1	1	1	1
33	CENTRIFUGAL FAN 9476 X 169.5	02808053	1	1	1	1	1	1
34	MOTOR WASHER	02101506	3	3	3	3	3	3
35	MOTOR YDK	02407509		1	1		1	1
		02407513	1			1		
36	BOTTOM PLATE	06350031	4	4	4	4	4	4
37	FIXING HANGER	06350032	1	1	1	1	1	1
38	SCREWS	02101507	45	45	45	45	45	45
39	BACK PLATE	06350033	1	1	1	1	1	1
40	LEFT PLATE	06350034	1	1	1	1	1	1
41	BASE	06350035	1	1	1	1	1	1
42	RIGHT COVER	06350036	1	1	1	1	1	1
43	FRONT COVER	06350037	1	1	1	1	1	1
44	MAINTENANCE PLATE	06350038	1	1	1	1	1	1
45	VALVE PLATE	06350039	1	1	1	1	1	1
46	DRAIN PIPE	02808054	1	1	1	1	1	1
47	WIRELESS REMOTE CONTROL ZH/LW - 07	02506024	1	1	1	1	1	1

EXPLODED VIEW FOR OUTDOOR UNIT



PART LIST OF OUTDOOR UNIT

SR.	DESCRIPTION PART	PART NUMBER	QTY./UNIT					
			38CS-H			38CS-C		
			24	36	48	24	36	48
1	COMPRESSOR							
1.1	Mitsushita Comp. 2JS438D3FE02	01500241	1			1		
1.2	Copeland Comp. CR47KO-PFZ	01500172		1			1	
1.3	Copeland Comp. ZR57KC-TFD	01500185			1			1
2	COND. BASE	08107402	1	1	1		1	1
3	SUPPORTING LEG ASSY	36314043	4	4	4	4	4	4
4	COND. PARTITION	06307407	1			1		
		06307436		1			1	
		06307965			1			1
5	CONDENSER COIL SUBASSY.	02600229	1			1		
		02600231		1			1	
		02600232			1			1
6	CONDENSER MOTOR SUPPORT	36313880						
7	CONDENSER MOTOR							
7.1	Motor 1/10 HP-860 RPM	02400154	1		1	1		1
7.2	Motor 1/10 HP-860 RPM	02400157			1			1
7.3	Motor 1/5 HP-860 RPM	02400179		1			1	
8	PROPELLER – 4 BLADES – 444 MM DIAM.	02600441	1	1	2	1	1	2
9	ORIFICE PROPELLER	02803112	1	1	2	1	1	2
10	COND. SHROUD	08107406	1			1		
		06307435		1			1	
		06307964			1			1
11	CARRIER LOGO	02900615	1	1	1	1	1	1
12	HANDLE	02803110	1	1	1	1	1	1
13	GUARD PROPELLER	02803113	1	1	2	1	1	2
14	COND. BACK PANEL	06307409	1			1		
		06307434		1			1	
		06307963			1			1
15	COUPLING PANEL	06307410		1	1		1	1
16	SERVICE DOOR	02803106	1	1	1	1	1	1
17	COIL GUARD	02803114	1			1		
		02803115		1			1	
		02602617			1			1
18	COND. COVER	08107400	1	1	1	1	1	1
19	ELECTRICAL BOX SUBASSY							
		36314016	1			1		
		36314143		1				
		36314307			1			
		36314301					1	
		36314305						1
19.1	CAPACITOR							
19.1.1	Dual Capacitor 50 + 5 MFD/440 VAC	02400379	1			1		
19.1.3	Dual Capacitor 60 + 5 MFD/440 VAC	02400377		1			1	
19.1.4	Capacitor 5 MFD/370 VAC	02400332			2			2
19.2	CONTACTOR FOR COMPRESSOR							
19.2.1	Contacto 2 poles – 25 Amps 190-200V Coil	02400580	1			1		
19.2.2	Contacto 2 poles – 30 Amps	02400572		1			1	
19.2.3	Starter 30 Amps	02400518			1			1
19.2.4	Overload	02400815			1			1
19.2.5	Aux. Contact INO + INC	02400839			1			1
19.3	TERMINAL BLOCKS							
19.3.1	Terminal Block 6 Poles-30 Amps	02501433	1			1		
19.3.2	Terminal Block 6 Poles-30 Amps	02501433		1	1			1
19.3.3	Terminal Block 4 Poles-30 Amps	02501405			1		1	1
19.3.4	Terminal Block 3 Poles-30 Amps	02501315		1			1	
19.4	COND. ELECTRICAL BOX	06307405		1	1		1	1
19.5	CAPACITOR CLAMP	02804078	1	1	1	1	1	1
19.6	STARTER FOR COMPRESSOR							
19.6.2	PTC Starter Model SPP5	02501578		1			1	
19.7	PCB – PHASE PROTECTOR	02506025		1	1			
19.8	ELECTRICAL WIRE HARNESS	02500875				1		
		02500887					1	
		02500872		1			1	
19.9	CABLES CLAMP	02802523	1	1	1	1	1	1

PART LIST OF OUTDOOR UNIT (Cont.)

SR.	DESCRIPTION PART	PART NUMBER	QTY./UNIT					
			38CS-H			38CS-C		
			24	36	48	24	36	48
20	HANDLE	02901209			1			1
21	CRANKCASE HEATER FOR COMP	02500054			1			1
22	REVERSING VALVE & ELECTRIC COIL	02200406		1	1			
23	ACCUMULATOR	02301013		1				
24	SENSOR - OUTDOOR COIL	02503123	1					
	SENSOR - OUTDOOR COIL - 1190 MM	02506020		1	1			
25	TUBING	36313958	1					
		36314139		1				
		36314686			1			
		36313967				1		
		36314193					1	
		36314652					1	1