



53FS



SERVICE & MAINTENANCE MANUAL

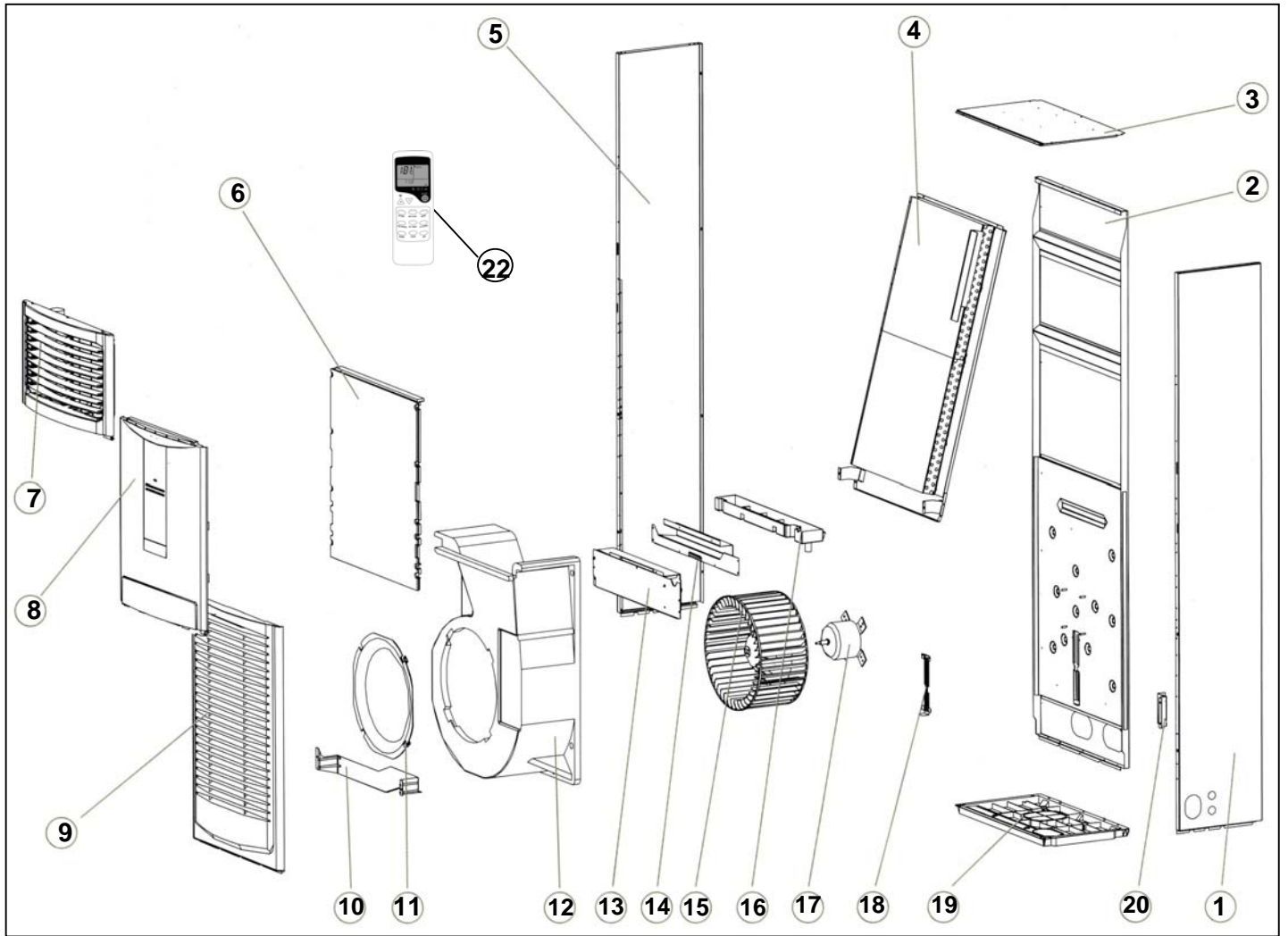


03502571

Rev. (1) 2006



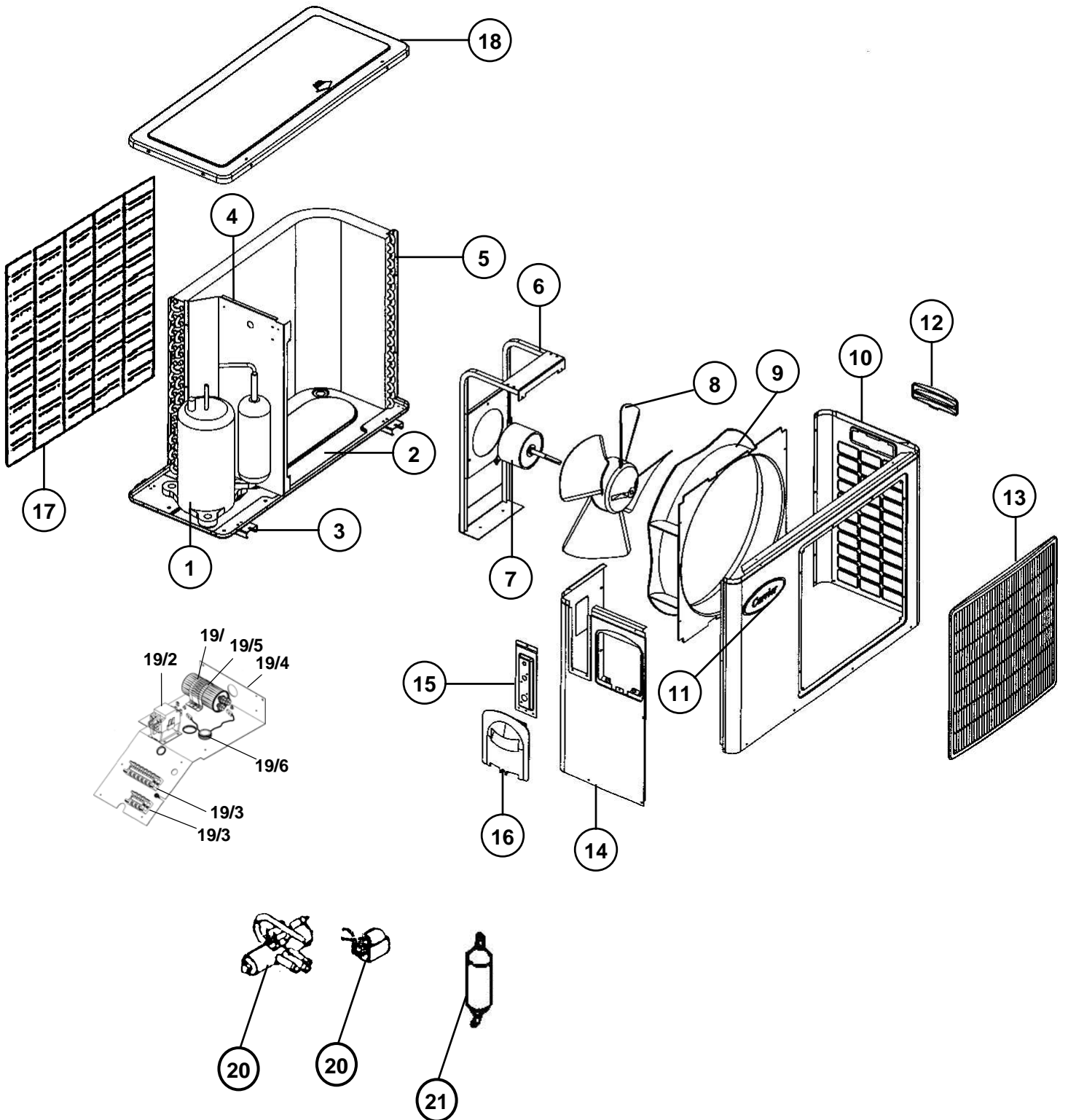
EXPLODED VIEW OF INDOOR UNIT



PART LIST OF INDOOR UNIT

NO.	PART NAME	PART NUMBER	QUANTITY / UNIT			
			42FS- H		42FS- C	
			36	48	36	48
1	RIGHT PANEL	06350013	1	1	1	1
2	BACK PANEL	06350011	1	1	1	1
3	TOP PANEL	06350016	1	1	1	1
4	EVAPORATOR COIL ASSY	02608502	1	1	1	1
5	LEFT PANEL	06350009	1	1	1	1
6	MIDDLE PROTECTING PLATE	06350017	1	1	1	1
7	SUPPLY AIR GRILLE	02808039	1	1	1	1
8	UP PANEL	02808055	1	1	1	1
9	RETURN AIR GRILLE	02808038	1	1	1	1
10	SUPPORT - VOLUTE	06350010	1	1	1	1
11	AIR RETURN CAP	02808040	1	1	1	1
12	VOLUTE	02808041	1	1	1	1
13	ELECTRICAL BOX ASSY	02506009	1	1	1	1
13.1	MAIN PCB ZKFR-120LW 22/A	02506016	1	1	1	1
13.2	MANUAL PCB	02506017	1	1	1	1
13.3	TRANSFORMER EL-48-120Q	02506015	1	1	1	1
13.4	CAPACITOR 5MFD	02407510	1	1	1	1
13.5	INDOOR COIL SENSOR – 1500 MM	02506018	1	1	1	1
13.6	RETURN AIR SENSOR – 600 MM	02506019	1	1	1	1
14	SUPPORT -DRAIN PAN	02808044	1	1	1	1
15	CENTRIFUGAL FAN 380 X 180	02808042	1	1	1	1
16	DRAIN PAN	02808043	1	1	1	1
17	MOTOR YDK-90-10	02407506	1	1	1	1
18	PRESS LINE PLATE	06350014	1	1	1	1
19	BASE	06350012	1	1	1	1
20	PRESS TUBE PLATE	06350015	1	1	1	1
21	FILTER	02808045	1	1	1	1
22	WIRELESS REMOTE CONTROL ZH/LW - 08	02506023	1	1	1	1
23	SYNCHRONOUS MOTOR TYC50-5	02402513	1	1	1	1

EXPLODED VIEW FOR OUTDOOR UNIT



PART LIST OF OUTDOOR UNIT

SR.	DESCRIPTION PART	PART NUMBER	QTY./UNIT			
			38FS-H		38FS-C	
			36	48	36	48
1	COMPRESSOR					
1.1	Copeland Comp. CR47KQ-PFZ	01500172	1		1	
1.2	Copeland Comp. ZR57KC-TFD	01500185		1		1
2	COND. BASE	08107402	1	1	1	1
3	SUPPORTING LEG ASSY	36314043	4	4	4	4
4	COND. PARTITION	06307436	1		1	
		06307965		1		1
5	CONDENSER COIL SUBASSY.	02600231	1		1	
		02600232		1		1
6	CONDENSER MOTOR SUPPORT	36313880				
7	CONDENSER MOTOR					
7.1	Motor 1/10 HP-860 RPM	02400154		1		1
7.2	Motor 1/10 HP-860 RPM	02400157		1		1
7.3	Motor 1/5 HP-860 RPM	02400179	1		1	
8	PROPELLER - 4 BLADES - 444 MM DIAM.	02600441	1	2	1	2
9	ORIFICE PROPELLER	02803112	1	2	1	2
10	COND. SHROUD	06307435	1		1	
		06307964		1		1
11	CARRIER LOGO	02900615	1	1	1	1
12	HANDLE	02803110	1	1	1	1
13	GUARD PROPELLER	02803113	1	2	1	2
14	COND. BACK PANEL	06307434	1		1	
		06307963		1		1
15	COUPLING PANEL	06307410	1	1	1	1
16	SERVICE DOOR	02803106	1	1	1	1
17	COIL GUARD	02803115	1		1	
		02602617		1		1
18	COND. COVER	08107400	1	1	1	1
19	ELECTRICAL BOX SUBASSY					
		36314143	1			
		36314307		1		
		36314301			1	
		36314305				1
19.1	CAPACITOR					
	19.1.3 Dual Capacitor 60 + 5 MFD/440 VAC	02400377	1		1	
	19.1.4 Capacitor 5 MFD/370 VAC	02400332		2		2
19.2	CONTACTOR FOR COMPRESSOR					
	19.2.2 Contactor 2 poles - 30 Amps	02400572	1		1	
	19.2.3 Starter 30 Amps	02400518		1		1
	19.2.4 Overload	02400815		1		1
	19.2.5 Aux. Contact INO + INC	02400839		1		1
19.3	TERMINAL BLOCKS					
	19.3.1 Terminal Block 6 Poles-30 Amps	02501433	1	1		1
	19.3.2 Terminal Block 4 Poles-30 Amps	02501405		1	1	1
	19.3.3 Terminal Block 3 Poles-30 Amps	02501315	1		1	
19.4	COND. ELECTRICAL BOX	06307405	1	1	1	1
19.5	CAPACITOR CLAMP	02804078	1	1	1	1
19.6	STARTER FOR COMPRESSOR					
	19.6.2 PTC Starter Model SPP5	02501578	1		1	
19.7	PCB - PHASE PROTECTOR	02506025	1	1		1
19.8	ELECTRICAL WIRE HARNESS	02500872	1		1	
19.9	CABLES CLAMP	02802523	1	1	1	1
20	HANDLE	02901209		2		2
21	CRANKCASE HEATER FOR COMP	02500054		2		2
22	REVERSING VALVE & ELECTRIC COIL	02200406	1	1		
23	ACCUMULATOR	02301013	1			
24	SENSOR - OUTDOOR COIL - 1190 MM	02506020	1	1		
25	TUBING	36314139	1			
		36314686		1		
		36314193			1	
		36314652				1