

TOSHIBA
Leading Innovation >>>

DAISEIKAI
Plasma Plus



RAS-18SKHD-EG
RAS-24SKHD-EG



RAS-18S2AH-EG



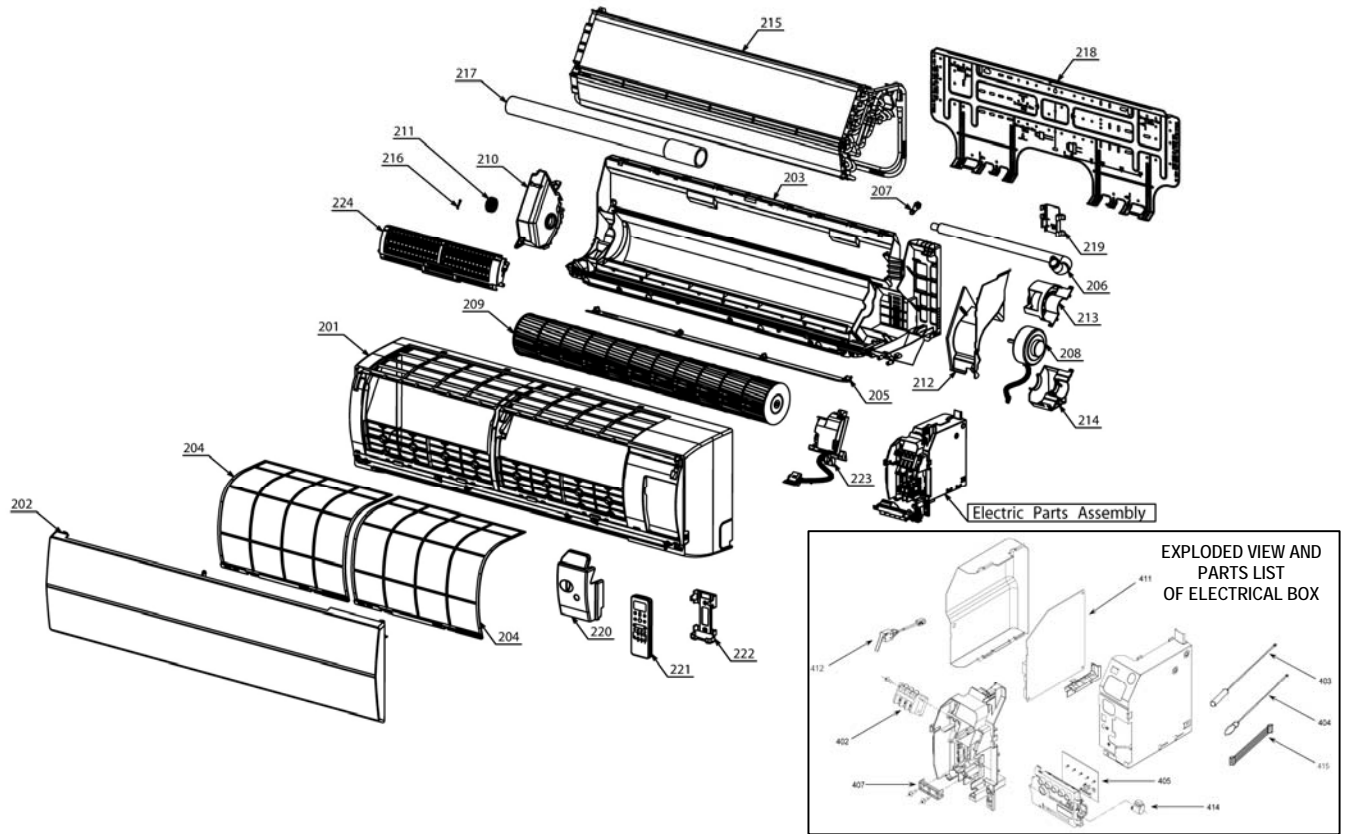
RAS-24S2AH-EG

SPARE PARTS MANUAL

Toshiba is committed to continuously improving its products, to ensure the highest quality and reliability standards, and to meet local regulations and market requirements.
All specifications subject to change without prior notice.

1. Indoor Unit Sizes 18 & 24 Heat Pump
 Models RAS-18SKHD-EG & RAS-24SKHD-EG

UNIT EXPLODED VIEW AND PARTS LIST



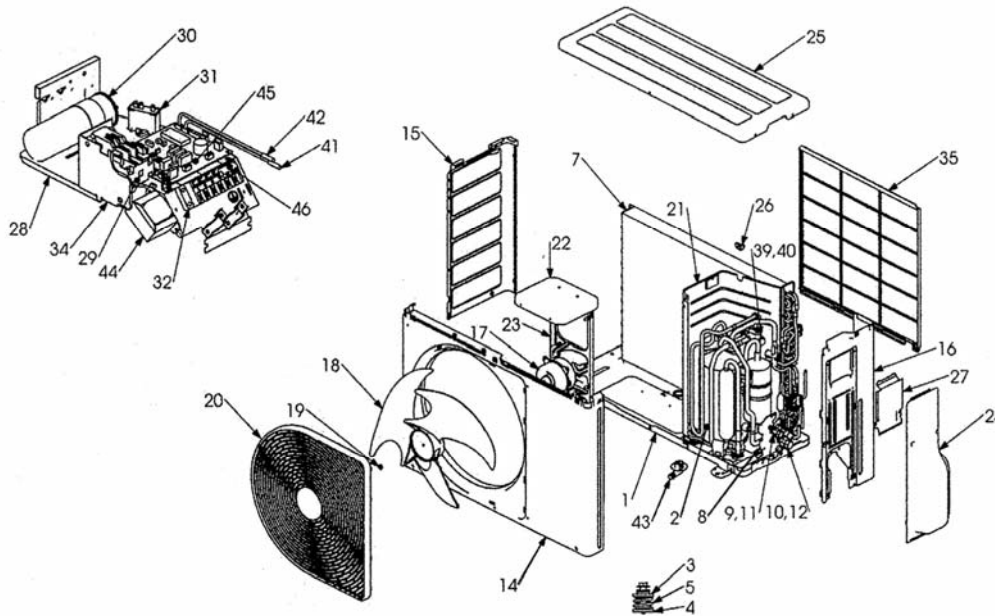
Location No.	Part No.	Description
201	43T00516	FRONT PANEL ASSY
202	43T09440	GRILLE OF AIR INLET ASSY
203	43T03370	BACK BODY ASSY
204	43T80019	AIR FILTER
205	43T09040	LOUVER, HORIZONTAL
206	43T70313	HOSE, DRAIN
207	43T79313	CAP, DRAIN
208	43T21371	MOTOR FAN
209	43T20016	FAN, ASSY, CROSS FLOW
210	43T39332	BASE BEARING ASSY
211	43T22312	BEARING ASSY, MOLD
212	43T39020	BAND, MOTOR, LEFT
213	43T39022	BAND, MOTOR, RIGHT UP
214	43T39023	BAND, MOTOR, RIGHT DOWN
215	43T44429	REFRIGERANT CYCLE ASSEMBLY (RAS-18SKHD-EG)
215	43T44430	REFRIGERANT CYCLE ASSEMBLY (RAS-24SKHD-EG)
216	43T19333	HOLDER, SENSOR
217	43T49010	PIPE, SHIELD
218	43T82008	PLATE, INSTALLATION

Location No.	Part No.	Description
219	43T49043	HOLDER, PIPE
220	43T62031	COVER, TERMINAL
221	43T69640	REMOTE CONTROL WIRELESS
222	43T83003	HOLDER, REMOTE CONTROL
223	43T80020	GENERATOR, ASSY HV
224	43T69499	UNIT, ELECTRIC PURIFIER

PARTS LIST OF ELECTRICAL BOX		
402	43T60331	TERMINAL; 3P
403	43T50004	SENSOR; HEAT EXCHANGER
404	43T69005	SENSOR; THERMOSTAT
405	43T69737	PC BOARD ASSY; WRS-LED
407	43T62003	CORD CLAMP
411	43T69882	PC BOARD (RAS-18SKHD-EG)
411	43T69883	PC BOARD (RAS-24SKHD-EG)
412	43T51307	MICRO SWITCH
414	43T69747	ASM-STEPPING-MOTOR
415	43T60386	MOTOR CORD

2. Outdoor Unit Size 18 Heat Pump Model RAS-18S2AH-EG

UNIT EXPLODED VIEW AND PARTS LIST

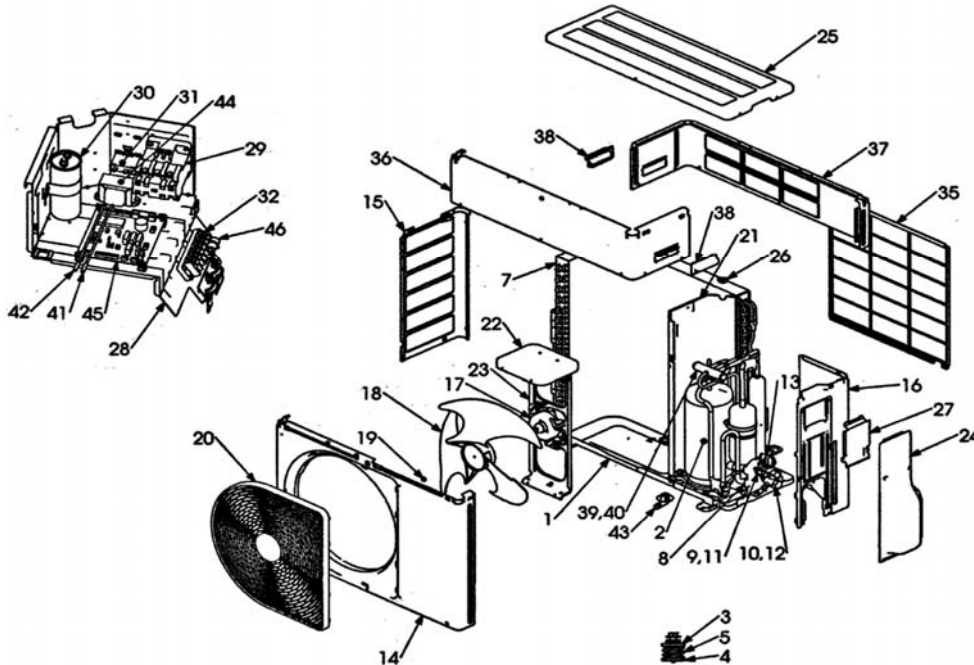


13 MAIN CAPILLARY TUBE ; 2.0 DIA
47 SUBCAPILLARY TUBE ; 0.6 DIA

Location No.	Part No.	Description	Location No.	Part No.	Description
1	43T42324	BASE PLATE ASSEMBLY	23	43T39318	MOTOR BASE
2	43T41371	COMPRESSOR;PH340X3C-4KT1 (Made in China)	24	43T19330	PACKED VALVE COVER
3	43T49011	SPRING BASE(UPPER)	25	43T00513	UPPER CABINET ASSEMBLY
4	43T49336	SPRING BASE (LOWER)	26	43T96305	BUSHING
5	43T49019	SPRING; BUFFER	27	43T62329	ELECTRIC PART COVER
7	43T43427	CONDENSER ASSEMBLY	28	43T61307	ELECTRIC PARTS BASE
8	43T00448	FIXING PLATE VALVE	29	43T52314	SWITCH;MAGNET; A23T
9	43T46332	VALVE;PACKED 6.35 DIA (Made in Thailand)	30	43T55340	MF CAPACITOR
10	43T46346	VALVE;PACKED 12.7 DIA	31	43T55341	CAPACITOR;PLASTIC-FILM
11	43T47331	BONNET, 6.35 DIA (Made in Thailand)	32	43T60387	TERMINAL BLOCK;5P
12	43T47333	BONNET, 12.70 DIA (Made in Thailand)	34	43T61305	MAGNETIC RELAY BASE
13	43T47013	CAPILLARY TUBE; 2.0 DIA	35	43T19331	FIN GUARD (Made in Thailand)
14	43T00468	FRONT CABINET	39	43T46337	4 WAY VALVE
15	43T00473	LEFT CABINET	40	43T46339	COIL;V-4WAY;AC220-240V 50Hz
16	43T00512	RIGHT CABINET ASSEMBLY	41	43T50322	SENSOR; TC
17	43T21406	FAN MOTOR;AC220-240V 50Hz	42	43T50323	SENSOR; TD
18	43T20319	PROPELLER FAN (Made in Thailand)	43	43T79305	DRAIN NIPPLE
19	43T47001	NUT FLANGE (Made in Japan)	44	43T58301	TRANSFORMER; TT-05
20	43T19329	FAN GUARD	45	43T69580	PC BOARD
21	43T04301	PARTITION	46	43T60325	FILTER;CLAMP
22	43T39317	MOTOR BASE CONNECTION PLATE	47	43T47017	CAPILLARY TUBE; 0.6 DIA

2. Outdoor Unit Size 18 Heat Pump Model RAS-24S2AH-EG

UNIT EXPLODED VIEW AND PARTS LIST



Location No.	Part No.	Description	Location No.	Part No.	Description
1	43T42324	BASE PLATE ASSEMBLY	24	43T19330	PACKED VALVE COVER
2	43T41370	COMPRESSOR(Made in China)	25	43T00514	UPPER CABINET ASSEMBLY
3	43T49011	SPRING BASE(UPPER)	26	43T96305	BUSHING
4	43T49336	SPRING BASE (LOWER)	27	43T62329	ELECTRIC PART COVER
5	43T49019	SPRING; BUFFER	28	43T61306	ELECTRIC PARTS BASE
7	43T43424	CONDENSER ASSEMBLY	29	43T52307	MAGNETIC CONTACTOR(A35P) (For 43T52305)
8	43T00448	FIXING PLATE VALVE	30	43T55340	MF CAPACITOR
9	43T46332	VALVE;PACKED 6.35 DIA (Made in Thailand)	31	43T55333	CAPACITOR; PLASTIC-FILM
10	43T46349	VALVE, PACKED 15.88 DIA	32	43T60387	TERMINAL BLOCK;5P
11	43T47331	BONNET, 6.35 DIA (Made in Thailand)	35	43T19331	FIN GUARD (Made in Thailand)
12	43T47334	BONNET; 15.88 DIA.	36	43T00456	UPPER FRONT CABINET; A
13	43T47013	CAPILLARY TUBE; 2.0 DIA	37	43T00457	UPPER FRONT CABINET; B
14	43T00468	FRONT CABINET	38	43T71301	HANDLE
15	43T00474	LEFT CABINET	39	43T46337	4 WAY VALVE
16	43T00515	RIGHT CABINET	40	43T46339	COIL;V-4WAY;AC220-240V 50Hz
17	43T21406	FAN MOTOR;AC220-240V 50Hz	41	43T50322	SENSOR; TC
18	43T20319	PROPELLER FAN (Made in Thailand)	42	43T50323	SENSOR; TD
19	43T47001	NUT FLANGE (Made in Japan)	43	43T79305	DRAIN NIPPLE
20	43T19329	FAN GUARD	44	43T58301	TRANSFORMER; TT-05
21	43T04302	PARTITION	45	43T69580	PC BOARD
22	43T39317	MOTOR BASE CONNECTION PLATE	46	43T60325	FILTER;CLAMP