

# Creation

## Hi Wall Split Air Conditioner

*53KHET12-708F*

Cool Only



# SPARE PARTS MANUAL

Carrier is committed to continuously improving its products according to national and international standards to ensure the highest quality and reliability standards, and to meet market regulations and requirements.

All specifications subject to change without prior notice according to Carrier policy of continuous development.



03504003

Rev. (0) - 2013



## TABLE OF CONTENTS

	PAGE NO.
1. Unit Model Designation & Identification	1
2. Unit Models & Part Numbers	1
3. Exploded View of Indoor Unit 12K	2
4. Part List of Indoor Unit 12K	3
5. Exploded View of Outdoor Unit 12K	4
6. Part List of Outdoor Unit 12K	5

## 1. UNIT MODEL DESIGNATION & IDENTIFICATION

---

- 53** = Split System
- 42** = Indoor Unit
- 38** = Outdoor Unit
- K** = Cool Only
- H** = Hi Wall
- E** = Creat-ion Series
- T** = High Ambient
- 12** = System Size in KBtu/hr
- 7** = Nominal Power Supply 220-240V ~ 50Hz 1Ph
- 0** = Wireless Remote Control
- 8** = Miraco – Carrier Mfg.
- F** = Ionizer

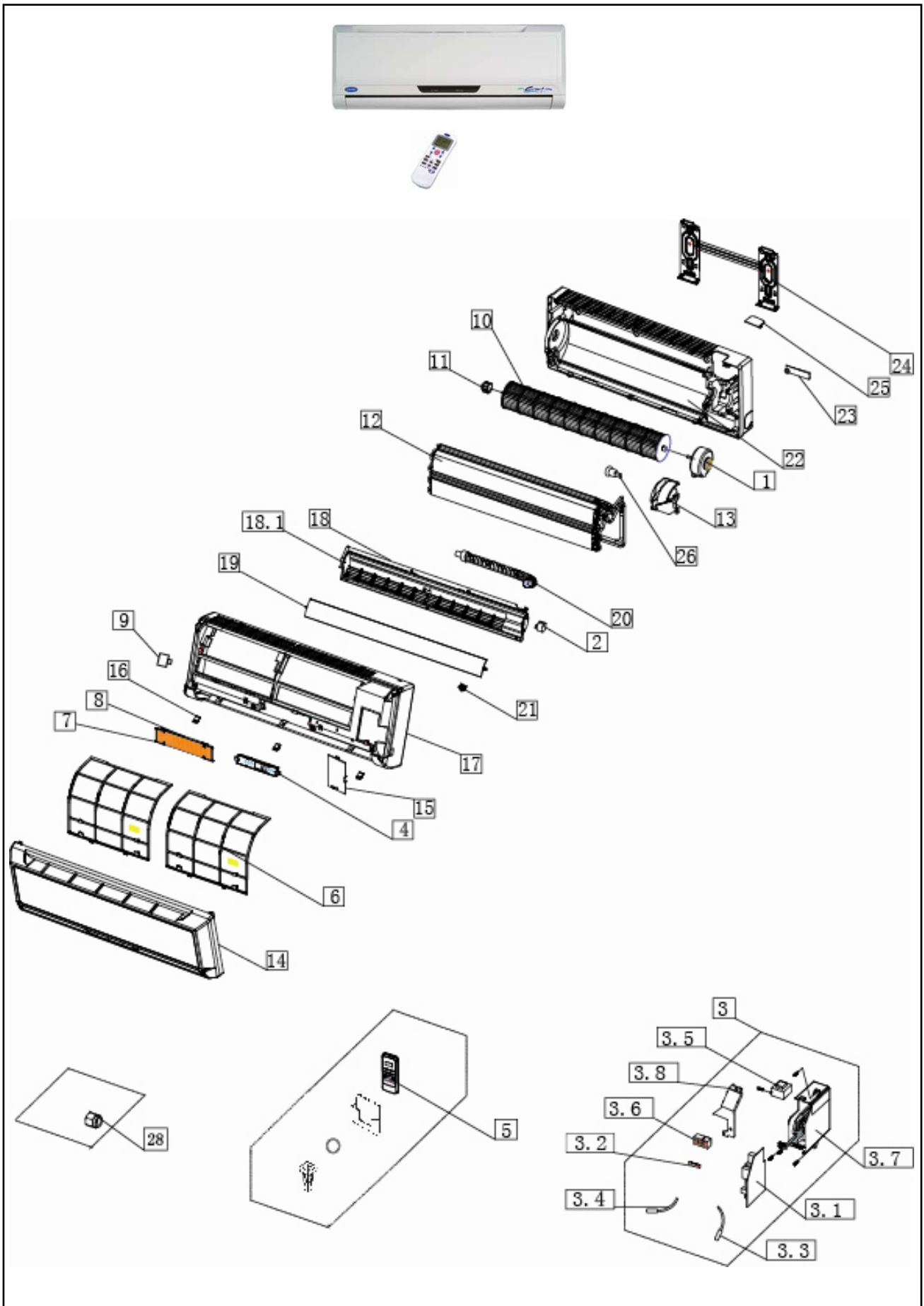
## 2. UNIT MODELS & PART NUMBERS

---

### Domestic Market

HEAT PUMP	Indoor Unit		Outdoor Unit			
	Model	P/N	Model	P/N	Compressor	
					Type	Supplier
	42KHET12-708F	46304056	38KHET12-708	46305071	Rotary	GMCC / Toshiba

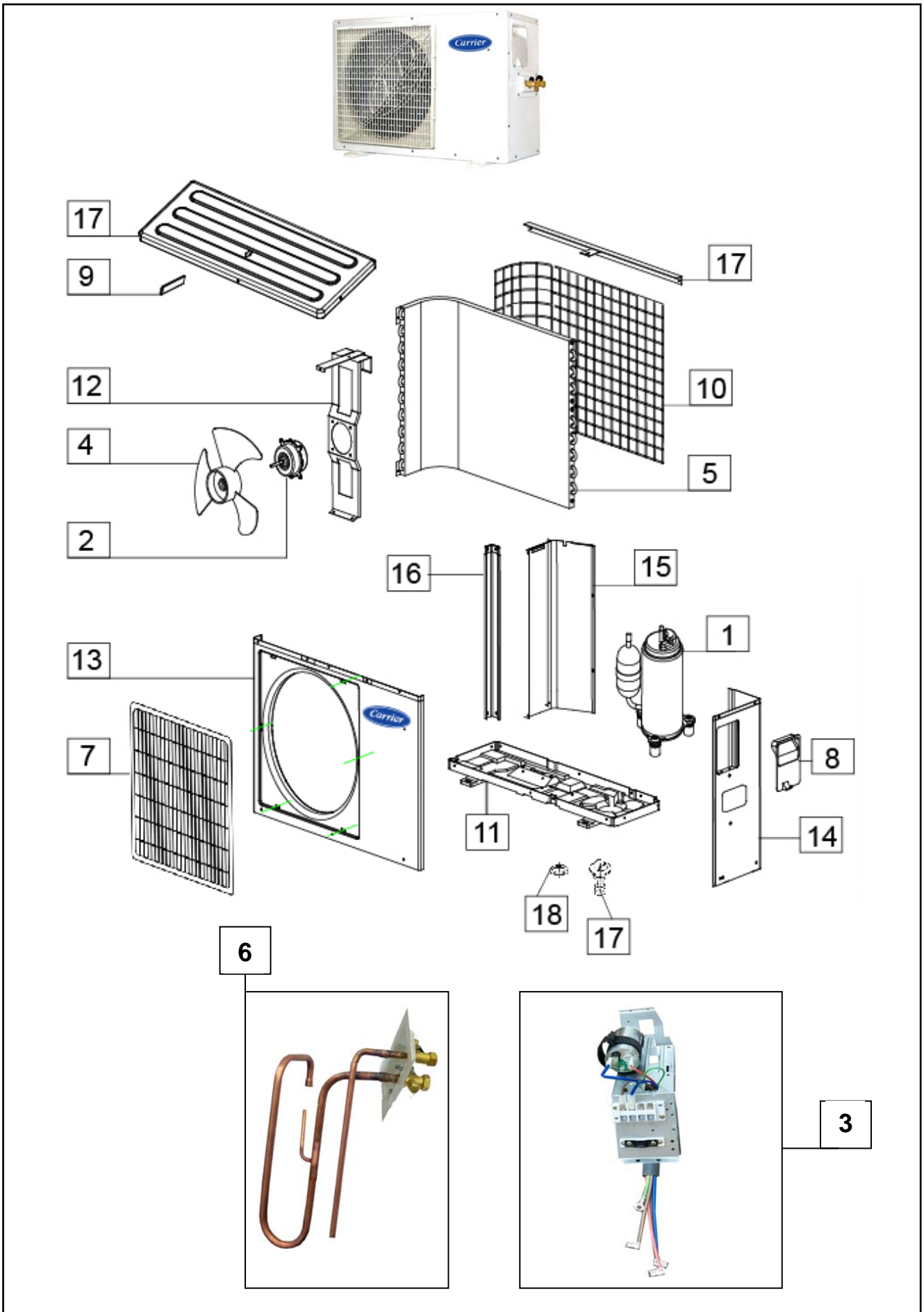
### 3. EXPLODED VIEW OF INDOOR UNIT 12K



#### 4. PART LIST OF INDOOR UNIT 12K

NO.	PART NAME	PART NUMBER	QUANTITY / UNIT
			42KHET12-708F
1	Indoor Fan Motor (202400300215)	02400021	1
2	Louver motor (202400200006)	02400020	1
3	Elec control box, indoor (2033325A0851)	36319030	1
3.1	Main Control board	36319730	1
3.2	Fan motor capacitor (202401200001)	02502771	1
3.3	Indoor air sensor (202301310079)	02502773	1
3.4	Indoor coil sensor (202301300080)	02502774	1
3.5	Transformer (202300900095)	02502776	1
3.6	Wire joint (202301450128)	02502775	1
3.7	E-Parts box (201130490108)	02802857	1
3.8	E-Parts box's cover (201130490184)	02802856	1
4	Display box assy (203332490069)	36319028	1
4.1	Display board assy (201332390157)	02502766	1
5	Remote Control ( 203355091269 )	02502788	1
6	Air filter (201130490113)	02802842	2
7	Air cleaner (201130100212)	02802691	1
8	Air cleaner holder (201130100217)	02808111	1
9	Ionizer (202319900032)	02501458	1
10	Cross flow fan (201100200100)	02802853	1
11	Bearing holder (202730100201)	02802725	1
12	Indoor coil & headers	02600291	1
13	Motor cover (201130490106)	02802852	1
14	Front panel assy (2011325A4549)	36309179	1
15	Window cover for repairing (201130490186)	02802845	1
16	Screw cap (201132590521)	02802846	3
17	Panel frame assy (201132590686)	36311794	1
18	Air out frame assy (201132590169)	36319029	1
18.1	Vertical grille (201130490140)	02802848	10
18.2	Louver holder (201130410358)	02802849	2
19	Horizontal louver (201132590749)	36311745	1
20	Drain hose (201130000011)	02808108	1
21	Fix clamp of temp sensor 201102000305	02808109	1
22	Chassis	36311795	1
23	Connecting pipe clamp (201130100204)	02802855	1
24	Installation plate (201230390006)	06301766	1
25	Chassis front cover (201132590714)	02802863	1
27	Flare Nut 3/8"	02300460	1
	Flare Nut 1/4"	02300402	1
26	insulated axis (201132390954)	02802862	1
27	Plastic holder for remote control ( 201155091050 )	02503072	1

# 5. EXPLODED VIEW OF OUTDOOR UNIT 12K



## 6. PART LIST OF OUTDOOR UNIT 12K

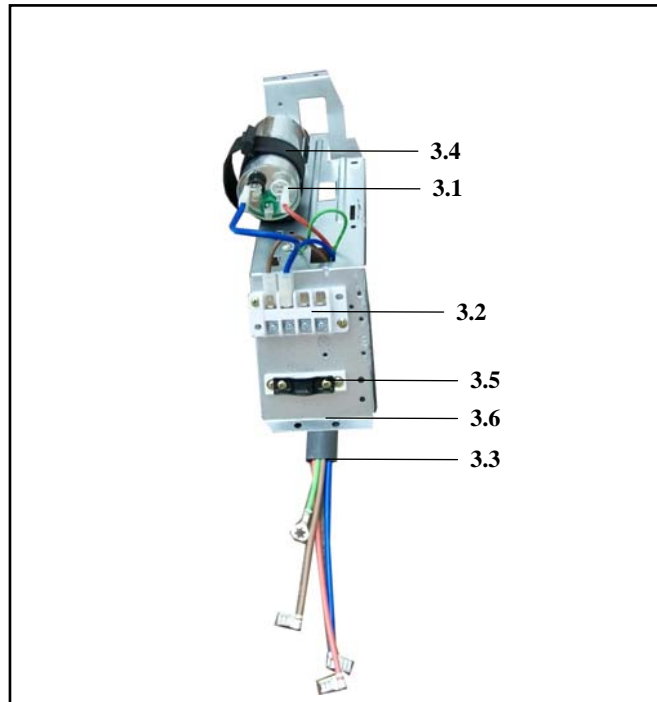


No.	Part Name	Part Number	Quantity
			38KHET12-708
1	Toshiba Rotary Compressor PH210M2A-4FTS1	01500275	1
2	Outdoor Motor 1/10HP-865RPM YDK24-6-12	02400160	1
3	Electrical Box Assy	36313841	1
4	Propeller Fan ( 201100300502 )	02801025	1
5	Outdoor Coil and Headers Assy	02600269	1
6	Tubing Assy	36340027	1
7	Front Net – Plastic ( 201137500006 )	02801026	1
8	Big Handle ( 201137590015 )	02803198	1
9	Small Handle ( 201157090002 )	02803195	1
10	Coil Guard	02603114	1
11	Base Pan Assy	08100445	1
12	Motor Bracket	08100225	1
13	Front Panel	08100443	1
14	Side Panel	08100233	1
15	Partition	06300245	1
16	Corner Support	08100227	1
17	Top Cover	08100444	1

PART LIST OF OUTDOOR UNIT 12K (Cont.)



**Electrical Box Assy**



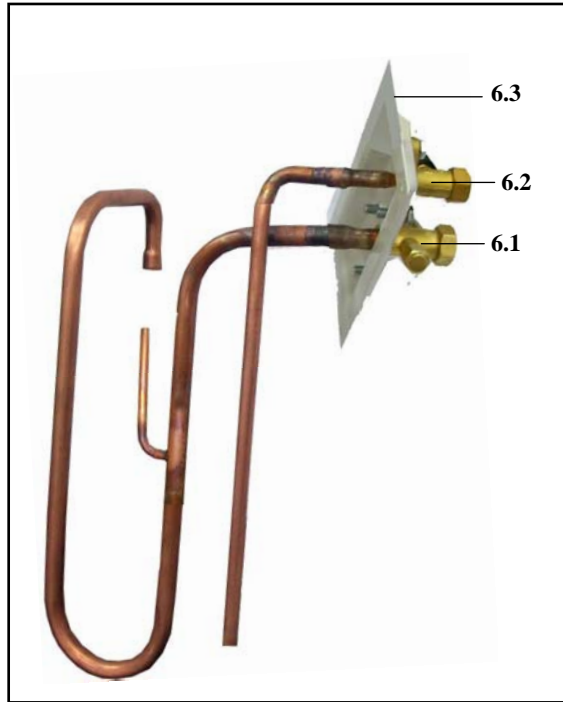
No.	Part Name	Part Number	Quantity / Unit
			38KHET12-708
3	Electrical Box Assy	36313841	1
3.4	Plastic Clamp - Capacitor	02804078	1
3.1	Dual Capacitor 35 + 2.5 MFD / 450V	02400386	1
3.2	Terminal Block 202301450130	02501308	1
3.5	Cable Clamp	02400526	1
3.6	Electrical Panel	02503286	1
3.3	Electrical Wires Set	02500804	1



PART LIST OF OUTDOOR UNIT 12K (Cont.)



**Details of Tubing Assy**



No.	Part Name	Part Number	Quantity / Unit
			38KHET12-708
6	Tubing Assy	36340027	1
6.1	Flare Valve 1/2"	02300437	1
6.2	Flare Valve 1/4"	02300440	1
6.3	Support – Flare Valve	08100233	1



turn to the experts<sup>SM</sup>



[www.miraco.com.eg](http://www.miraco.com.eg)